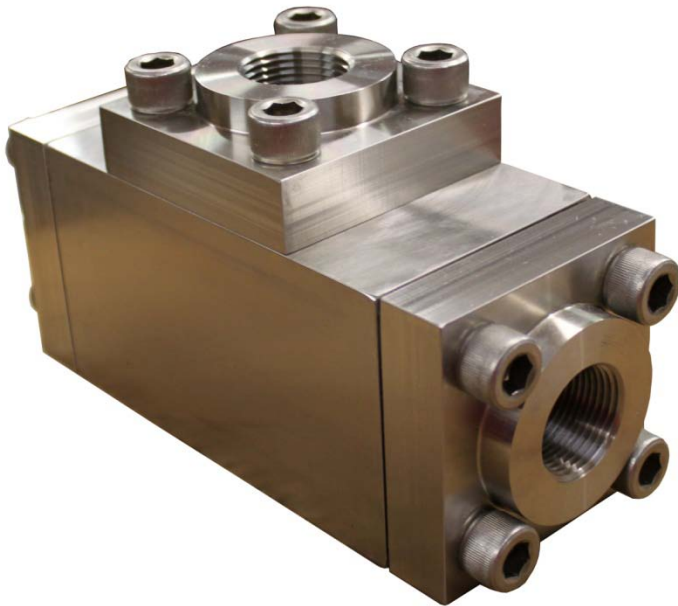


Subsea Shuttle Valves

Cushioned, Low Interflow

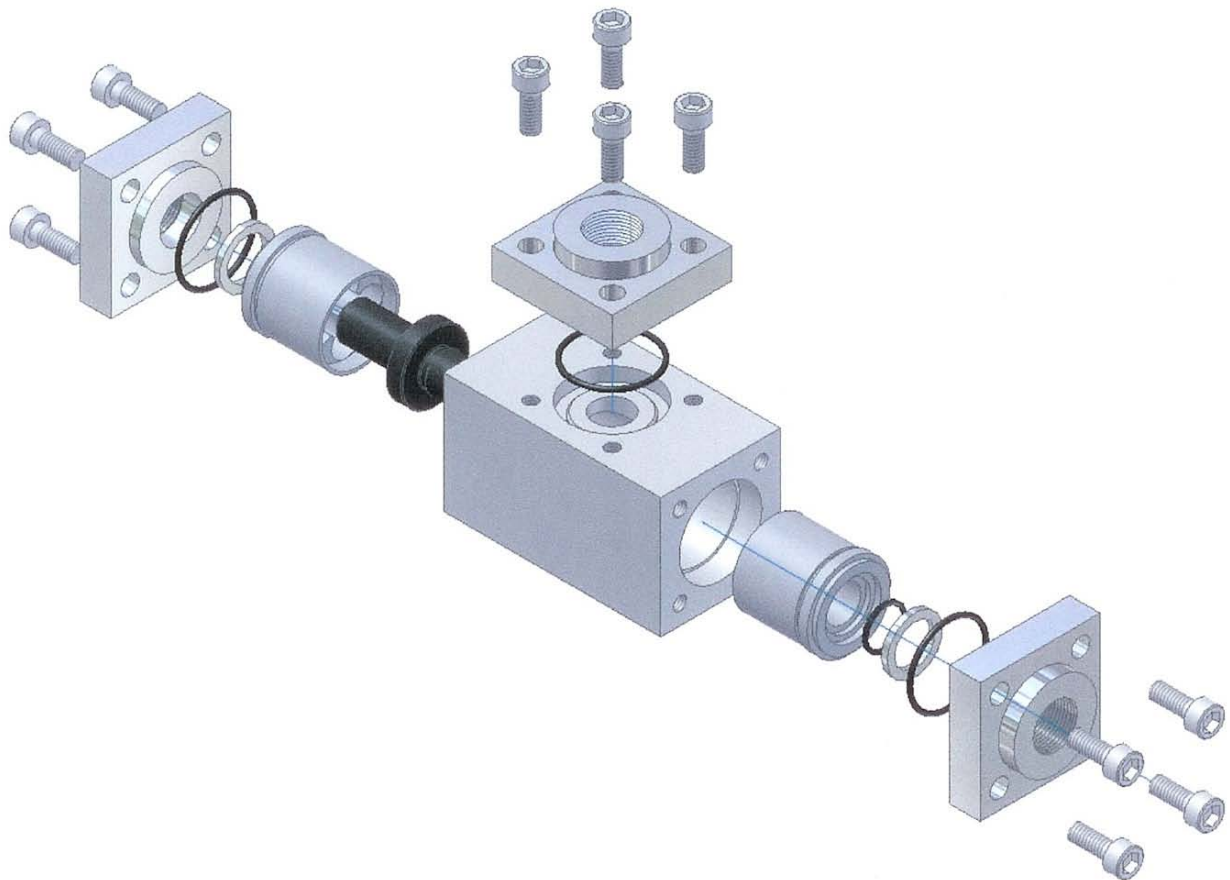


Available in sizes from $\frac{1}{4}$ " to $1\frac{1}{2}$ "

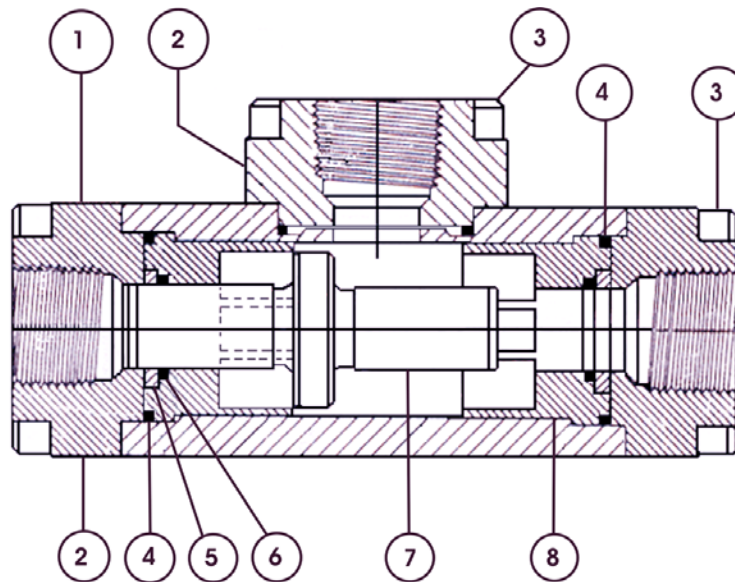
Materials: 316 Stainless Steel Buna
 Teflon 17-4 PH

Connection: NPTF or SAE

C_v $\frac{3}{4}$ " = 8 1" = 14.9 $1\frac{1}{2}$ " = 14.5 (Calculated)



Item	Description	¾"	Qty.	1"	Qty.	1 ½"	Qty.
Assy.	Shuttle Valve	AG10-3100		AG10-4100		AG10-5100	
Kit	Repair Kit	AG10-3199		AG10-4199		AG10-5199	
Kit	Seal Kit	AG10-3197		AG10-4197		AG10-5197	
1	Housing	AG10-3101	1	AF30-0101	1	AG10-5101	1
2	Flange	AG10-3102	3	AF30-0102	3	AG10-5102	3
3	Screw	AA10-2116	12	AF30-0103	12	AA10-0108	24
4**	O-Ring	HG17-2220	3	HG17-2226	3	HG17-2228	3
5*	Spacer	AG10-3103	2	AG10-4101	2	AG10-5103	2
6**	O-Ring	HG40-0210	2	HD70-0214	2	HG17-2222	2
7*	Shuttle	AG10-3104	1	AG10-4102	1	AG10-5104	1
8*	Cage	AG10-3105	2	AG10-4103	2	AG10-5105	2



Dimensions

	L	H	W	WT.
¼"	4.00"	1.5"	1.5"	1.6 lbs.
½"	6.85	3.65	2.5	10 lbs.
¾"	6.85	3.65	2.5	11 lbs.
1"	8.75	4.4	3.0	20 lbs.
1 ½"	9.25	5.45	4.0	30 lbs.