

HYDRAULIC CONTROL VALVES

3000 PSI HYDRAULIC, FOUR-WAY, THREE POSITION SELECTOR TYPE CONTROL VALVE

Size	Part No.
¼"	AC30-0100
½"	AC30-2100
1"	AC30-4100
1-1/2"	AC30-5100

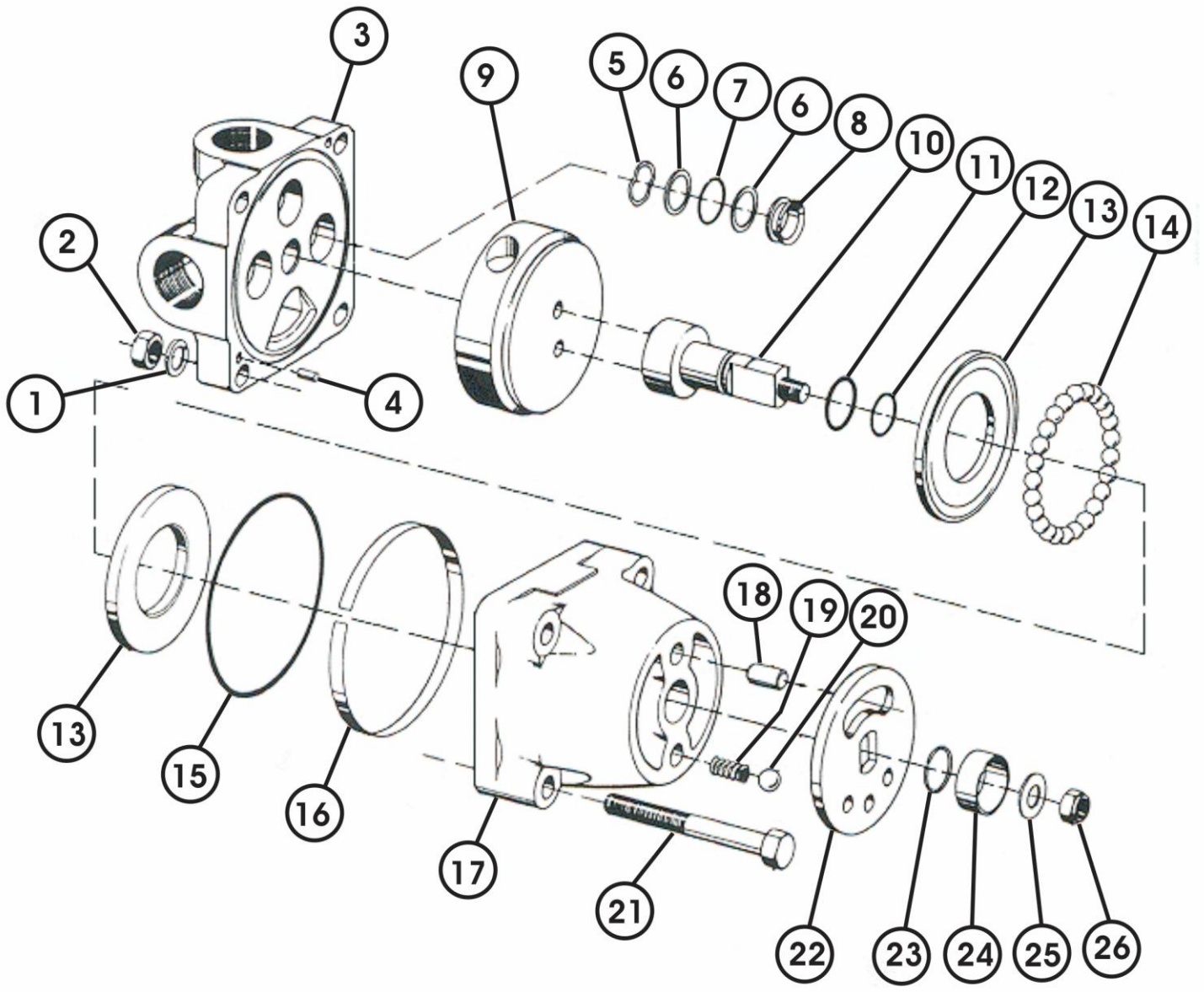


Item	Description	¼"	Qty	½"	Qty	1"	Qty	1-1/2"	Qty
Kit	Repair Kit, Major	AC30-0199		AC30-2199		AC30-4199		AC30-5199	
Kit	Repair Kit, Minor (Also in Major R.K.)	AC30-0198		AC30-2198		AC30-4198		AC30-5198	
Kit	Seal Kit (Included in Repair Kit)	AC20-0197		AC20-2197		AC20-4197		AC20-5197	
1	Lockwasher	AC20-0124	4	HE75-1200	4	AC30-4122	4	AC20-5110	4
2	Nut	AC20-0125	4	AC20-2116	4	AC20-4123	4	AC20-5111	4
3	Body	AC20-0123	1	AC20-2110	1	AC20-4121	1	AC20-5109	1
4	Dowel Pin	AC20-0122	2	AC20-2109	2	AC20-4120	2	AC20-4120	2
5**	Washer	AC20-0121	3	AC20-2108	3	AC20-4119	3	AC20-5108	3
6**	Back-up Ring	HH41-2011	3	HH41-2112	6	HH41-2117	6	HH41-2219	6
7**	O-Ring	HG17-2011	3	HG17-2112	3	HG17-2117	3	HG17-2219	3
8**	Seal Seat	AC20-0120	3	AC20-2107	3	AC20-4118	3	AC20-5107	3
9*	Rotor	AC30-0102	1	AC30-2102	1	AC30-4101	1	AC30-5101	1
10	Shaft	AC20-0118	1	AC20-2106	1	AC20-4116	1	AC20-5105	1
11**	O-Ring	HG17-2112	1	HG17-2210	1	HG17-2212	1	HG17-2212	1
12**	O-Ring	N/A		N/A		HG17-2115	1	HG17-2115	1
13*	Thrust Washer	AC20-0114	1	AC20-2117	2	AC20-4113	2	AC20-5103	2
14*	Ball Bearing	AC20-0115	17	AC20-0108	20	AC20-4114	26	AC20-5104	22
15**	O-Ring	HG19-2224	1	HG19-2231	1	HG19-2243	1	HG19-2258	1
16	Retainer, Ball	AC30-0116	1	N/A		AC20-4125	1	AC20-5125	1
17	Housing	AC20-0113	1	AC20-2111	1	AC20-4112	1	AC20-5102	1
18	Stop Pin	AC20-0110	1	AC20-2114	1	AC20-4110	1	AC20-4110	1
19	Spring, Detent	AC20-0109	1	AC90-0107	1	AC20-4109	1	AC20-4109	1
20	Ball, Detent	AC20-0108	1	AC20-0108	1	AC20-4108	1	AC20-4108	1
21	Screw	AC20-0112	4	AC20-2105	4	AC20-4111	4	AC20-5101	4
22	Disc, Detent	AC20-0107	1	AC20-2112	1	AC20-4107	1	AC20-4107	1
23	Retaining Ring	AC20-0117	1	AC20-2118	1	AC20-4115	1	AC20-4115	1
24	Handle Spacer	AC20-0106	1	AC20-2101	1	AC20-4106	1	AC20-4106	1
25	Washer, Shaft	AC20-0102	1	AC20-2104	1	AC20-4102	1	AC20-4102	1
26	Nut, Shaft	AC20-0101	1	AC20-2102	1	AC20-4101	1	AC20-4101	1
27	Handle, (Not Shown)	AC20-0103	1	AC30-2101	1	AC20-4103	1	AC20-4103	1
28	Grip (Not Shown)	AC20-0105	1	AC20-2103	1	AC20-4105	1	AC20-4105	1

* Included in Repair Kit

** Included in Seal Kit

SPECIAL NOTE: Minor Repair Kit
consists of the Seal Kit and Rotor only



HYDRAULIC CONTROL VALVES

3000 PSI HYDRAULIC, FOUR-WAY, THREE POSITION MANIPULATOR TYPE CONTROL VALVE

Size	Part No.
¼"	AC20-0100
½"	AC20-2100
1"	AC20-4100
1-1/2"	AC20-5100

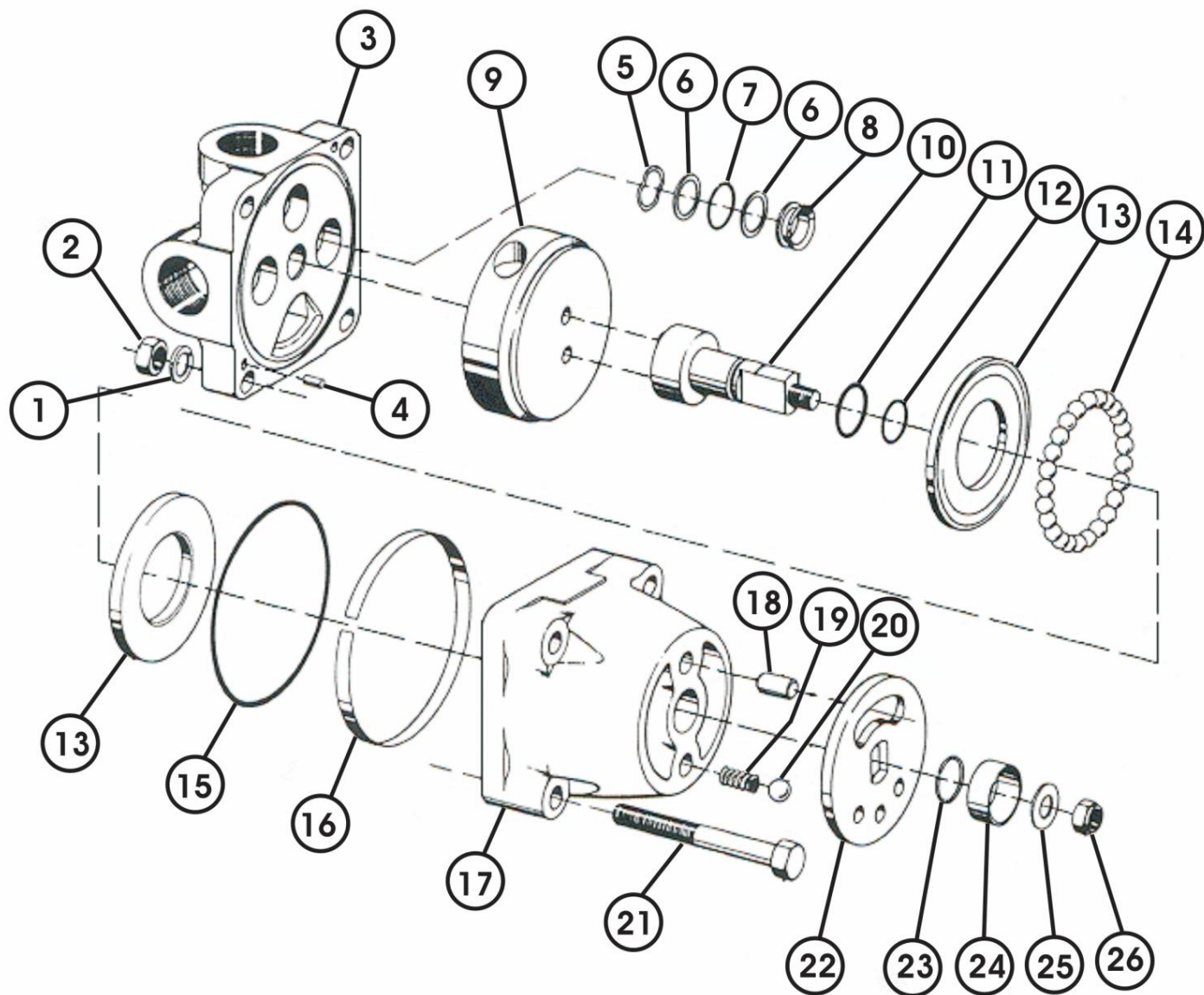


Item	Description	¼"	Qty	½"	Qty	1"	Qty	1-1/2"	Qty
Kit	Repair Kit, Major	AC20-0199		AC20-2199		AC20-4199		AC20-5199	
Kit	Repair Kit, Minor (Also in Major R.K.)	AC20-0198		AC20-2198		AC20-4198		AC20-5198	
Kit	Seal Kit (Included in Repair Kit)	AC20-0197		AC20-2197		AC20-4197		AC20-5197	
1	Lockwasher	AC20-0124	4	HE75-1200	4	AC30-4122	4	AC20-5110	4
2	Nut	AC20-0125	4	AC20-2116	4	AC20-4123	4	AC20-5111	4
3	Body	AC20-0123	1	AC20-2110	1	AC20-4121	1	AC20-5109	1
4	Dowel Pin	AC20-0122	2	AC20-2109	2	AC20-4120	2	AC20-4120	2
5**	Washer	AC20-0121	3	AC20-2108	3	AC20-4119	3	AC20-5108	3
6**	Back-up Ring	HH41-2011	3	HH41-2112	6	HH41-2117	6	HH41-2219	6
7**	O-Ring	HG17-2011	3	HG17-2112	3	HG17-2117	3	HG17-2219	3
8**	Seal Seat	AC20-0120	3	AC20-2107	3	AC20-4118	3	AC20-5107	3
9*	Rotor	AC30-0119	1	AC20-2121	1	AC20-4117	1	AC20-5106	1
10	Shaft	AC20-0118	1	AC20-2106	1	AC20-4116	1	AC20-5105	1
11**	O-Ring	HG17-2112	1	HG17-2210	1	HG17-2212	1	HG17-2212	1
12**	O-Ring	N/A		N/A		HG17-2115	1	HG17-2115	1
13*	Thrust Washer	AC20-0114	1	AC20-2117	2	AC20-4113	2	AC20-5103	2
14*	Ball Bearing	AC20-0115	17	AC20-0108	20	AC20-4114	26	AC20-5104	22
15**	O-Ring	HG19-2224	1	HG19-2231	1	HG19-2243	1	HG19-2258	1
16	Retainer, Ball	AC30-0116	1	N/A		AC20-4125	1	AC20-5125	1
17	Housing	AC20-0113	1	AC20-2111	1	AC20-4112	1	AC20-5102	1
18	Stop Pin	AC20-0110	1	AC20-2114	1	AC20-4110	1	AC20-4110	1
19	Spring, Detent	AC20-0109	1	AC90-0107	1	AC20-4109	1	AC20-4109	1
20	Ball, Detent	AC20-0108	1	AC20-0108	1	AC20-4108	1	AC20-4108	1
21	Screw	AC20-0112	4	AC20-2105	4	AC20-4111	4	AC20-5101	4
22	Disc, Detent	AC20-0107	1	AC20-2112	1	AC20-4107	1	AC20-4107	1
23	Retaining Ring	AC20-0117	1	AC20-2118	1	AC20-4115	1	AC20-4115	1
24	Handle Spacer	AC20-0106	1	AC20-2101	1	AC20-4106	1	AC20-4106	1
25	Washer, Shaft	AC20-0102	1	AC20-2104	1	AC20-4102	1	AC20-4102	1
26	Nut, Shaft	AC20-0101	1	AC20-2102	1	AC20-4101	1	AC20-4101	1
27	Handle, (Not Shown)	AC20-0103	1	AC30-2101	1	AC20-4103	1	AC20-4103	1
28	Grip (Not Shown)	AC20-0105	1	AC20-2103	1	AC20-4105	1	AC20-4105	1

* Included in Repair Kit

** Included in Seal Kit

SPECIAL NOTE: Minor Repair Kit
consists of the Seal Kit and Rotor only



HYDRAULIC CONTROL VALVES

3000 PSI HYDRAULIC, FOUR-WAY, THREE POSITION BYPASS TYPE CONTROL VALVE



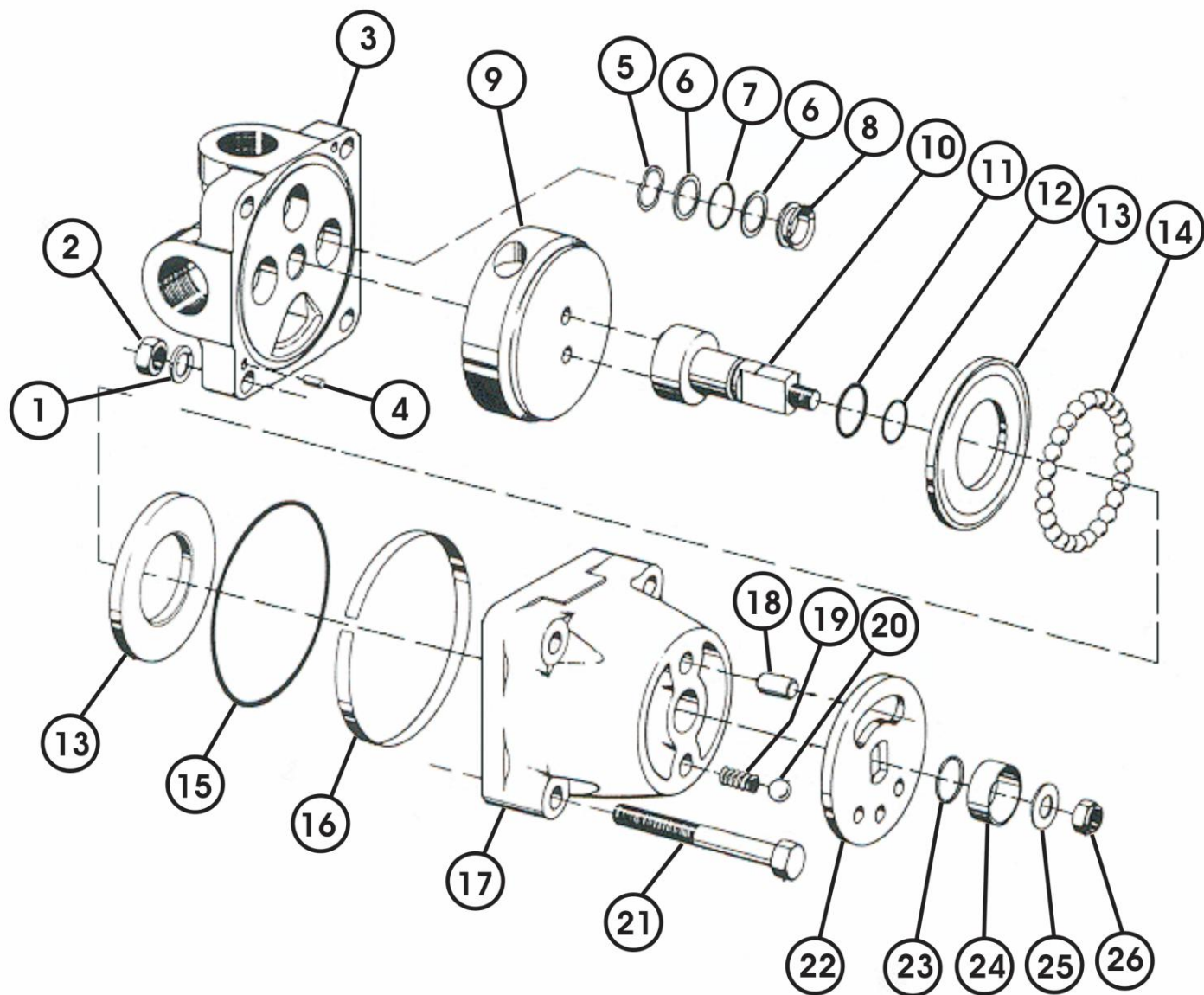
Size	Part No.
½	AC90-1200
1"	AC90-1100

Item	Description	½"	Qty	1"	Qty
Kit	Repair Kit, Major	AC90-1299		AC90-1199	
Kit	Repair Kit, Minor (Also in Major Repair Kit)	AC90-1298		AC90-1198	
Kit	Seal Kit (Included in Repair Kit)	AC20-2197		AC20-4197	
1	Lockwasher	HE75-1200	4	AC20-4122	4
2	Nut	AC20-2116	4	AC20-4123	4
3	Body	AC20-2110	1	AC20-4121	1
4	Dowel Pin	AC20-2109	2	AC20-4120	2
5**	Washer	AC20-2108	3	AC20-4119	3
6**	Back-Up Ring	HH41-2112	6	HH41-2117	6
7**	O-Ring	HG17-2112	3	HG17-2117	3
8**	Seal Seat	AC20-2107	3	AC20-4118	3
9*	Rotor	AC90-1201	11	AC90-1101	11
10	Shaft	AC20-2106	1	AC20-4116	1
11**	O-Ring	HG17-2210	1	HG17-2212	1
12**	O-Ring	N/A		HG17-2115	1
13*	Thrust Washer	AC20-2117	2	AC20-4113	2
14*	Ball Bearing	AC20-0108	20	AC20-4114	26
15**	O-Ring	HG19-2231	1	HG19-2243	1
16	Retainer, Ball	N/A		AC20-4125	1
17	Housing	AC20-2111	1	AC20-4112	1
18	Stop Pin	AC20-2114	1	AC20-4110	1
19	Spring, Detent	AC90-0107	1	AC20-4109	1
20	Ball, Detent	AC20-0108	1	AC20-4108	1
21	Screw	AC20-2105	4	AC20-4111	4
22	Disc, Detent	AC20-2112	1	AC20-4107	1
23	Retaining Ring	AC20-2118	1	AC20-4115	1
24	Handle Spacer	AC20-2101	1	AC20-4106	1
25	Washer, Shaft	AC20-2104	1	AC20-4102	1
26	Nut, Shaft	AC20-2102	1	AC20-4101	1
27	Handle (Not Shown)	AC30-2101	1	AC20-4103	1
28	Grip (Not Shown)	AC20-2103	1	AC20-4105	1

* Included in Repair Kit, Major

** Included in Seal Kit

Special Note: Minor Repair Kit Consists of the Seal Kit and Rotor only



HYDRAULIC CONTROL VALVES

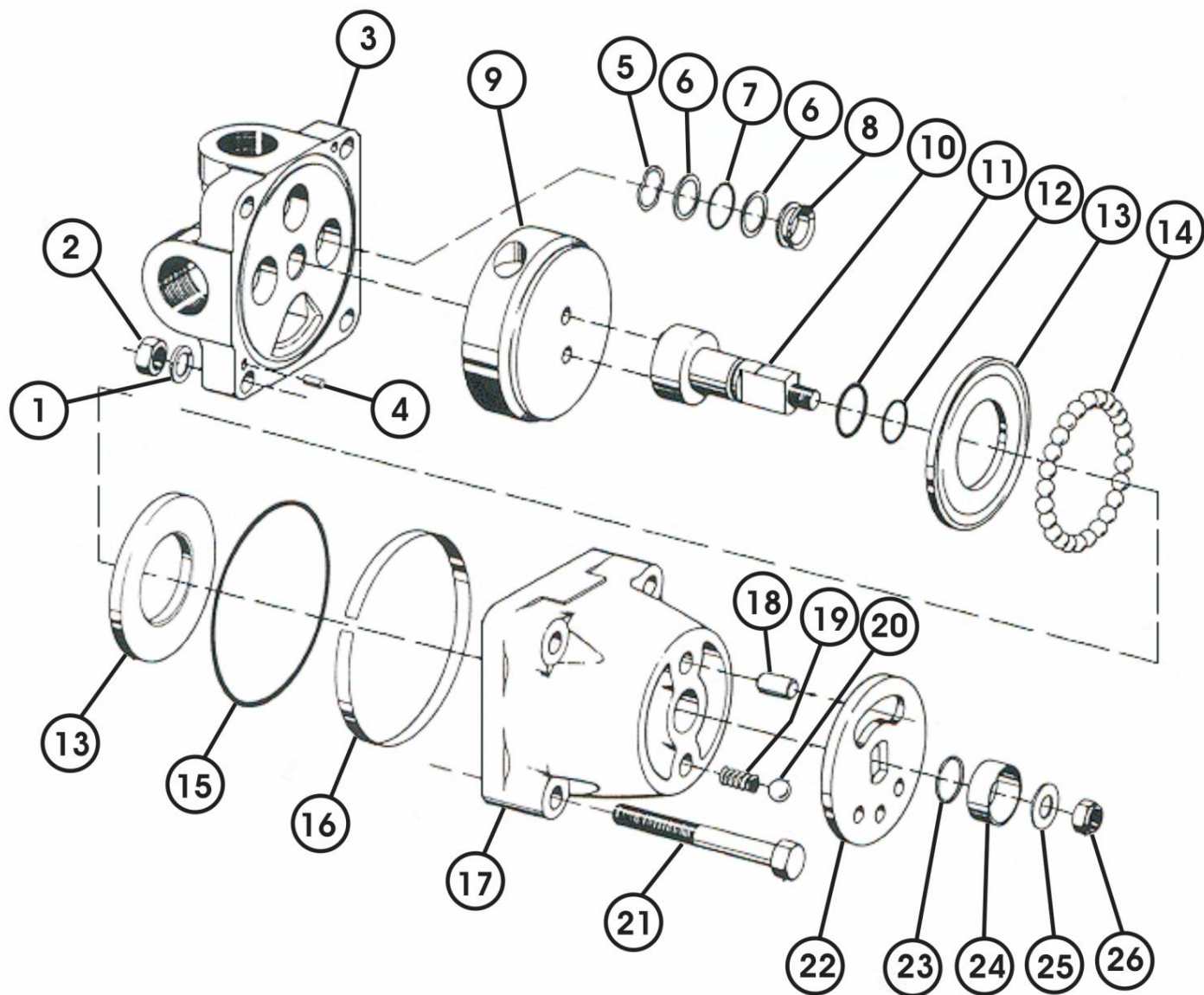
5000 PSI HYDRAULIC, FOUR-WAY, THREE POSITION SELECTOR TYPE CONTROL VALVE



Size	Part No.
1"	HA0491

Item	Description	1"	Qty
Kit	Repair Kit (Includes Seals)	HA0908	
1	Lockwasher	AC20-4122	4
2	Nut	AC20-4123	4
3	Body	AC20-4121	1
4	Dowel Pin	AC20-4120	1
5*	Washer	AC20-4119	3
6*	Back-Up Ring	HH41-2117	6
7*	O-Ring	HG17-2117	3
8*	Seal Seat	HA7498	3
9*	Rotor	AC30-4101	1
10	Shaft	AC20-4116	1
11*	O-Ring	HG17-2212	1
12*	O-Ring	HG17-2115	1
13*	Thrust Washer	AC20-4113	2
14*	Ball Bearing	AC20-4114	26
15*	O-Ring	HG19-2243	1
16	Retainer, Ball	AC20-4125	1
17	Housing	AC20-4112	1
18	Stop Pin	AC20-4110	1
19	Spring, Detent	AC20-4109	1
20	Ball, Detent	AC20-4108	1
21	Screw	AC20-4111	4
22	Disc, Detent	AC20-4107	1
23	Retaining Ring	AC20-4115	1
24	Handle Spacer	AC20-4106	1
25	Washer, Shaft	AC20-4102	1
26	Nut, Shaft	AC20-4101	1
27	Handle (Not Shown)	AC20-4103	1
28	Grip (Not Shown)	AC204105	1

* Included in Repair Kit



HYDRAULIC CONTROL VALVES

5000 PSI HYDRAULIC, FOUR-WAY, THREE POSITION BYPASS TYPE CONTROL VALVE

Size	Part No.
1"	HA1726



Item	Description	1"	Qty
Kit	Repair Kit (Includes Seals)	HA7497	
1	Lockwasher	AC20-4122	4
2	Nut	AC20-4123	4
3	Body	AC20-4121	1
4	Dowel Pin	AC20-4120	1
5*	Washer	AC20-4119	3
6*	Back-Up Ring	HH41-2117	6
7*	O-Ring	HG17-2117	3
8*	Seal Seat	HA7498	3
9*	Rotor	AC90-1101	1
10	Shaft	AC20-4116	1
11*	O-Ring	HG17-2212	1
12*	O-Ring	HG17-2115	1
13*	Thrust Washer	AC20-4113	2
14*	Ball Bearing	AC20-4114	26
15*	O-Ring	HG19-2243	1
16	Retainer, Ball	AC20-4125	1
17	Housing	AC20-4112	1
18	Stop Pin	AC20-4110	1
19	Spring, Detent	AC20-4109	1
20	Ball, Detent	AC20-4108	1
21	Screw	AC20-4111	4
22	Disc, Detent	AC20-4107	1
23	Retaining Ring	AC20-4115	1
24	Handle Spacer	AC20-4106	1
25	Washer, Shaft	AC20-4102	1
26	Nut, Shaft	AC20-4101	1
27	Handle (Not Shown)	AC20-4103	1
28	Grip (Not Shown)	AC204105	1

* Included in Repair Kit

