

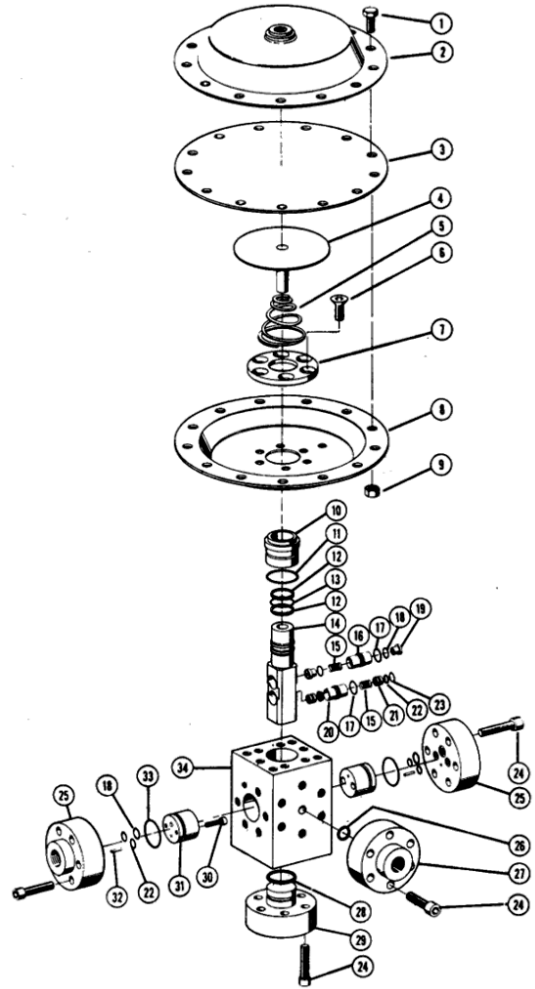
HYDRAULIC PRESSURE REGULATOR AIR OPERATOR

1/8" FULL FLOW

Item	Description	Part No.	Qty.
Assy.	Regulator Valve	AA11-0100	
Kit	Repair Kit (Contains Seal Kit)	AA10-0199	
Kit	Seal Kit	AA10-0197	
1	Screw	HE00-2012	12
2	Diaphragm Cover, Top	AA11-0102	1
3	Diaphragm	AA11-0105	1
4	Plate, Diaphragm	AA11-0106	1
5	Spring	AA11-0107	1
6	Screw	AA11-0104	6
7	Cover, Retainer	AA11-0109	1
8	Diaphragm Cover, Bottom	AA11-0103	1
9	Nut	HE80-1200	12
10	Guide, Plunger	AA10-0106	1
11**	O-Ring	HG17-2026	1
12**	Back-Up Ring	HH41-2020	2
13**	O-Ring	HG17-2020	1
14*	Seal Container	AA10-0111	1
15*	Spring	AA10-0109	2
16*	Seal Cage, Outlet	AA10-0126	1
17**	O-Ring	HG17-2013	2
18**	O-Ring	HG17-2012	4
19*	Shear Seal, Vent	AA10-0107	2
20*	Seal Cage, Inlet	AA10-0127	1
21*	Shear Seal, Supply	AA10-0110	2
22**	O-Ring	HG17-2010	6
23**	Back-Up Ring	HH41-2010	2
24	Screw (Old Style Requires 24)	HE26-2024	18
25	Flange	AA10-0101	2
26	O-Ring (Not Required on New Style)	HG17-2014	1
27	Flange, Outlet (Not Required on New Style)	AA10-0112	1
28	Screw	AA10-0108	4
29	Lower Flange	AA10-0105	1
30	Pin	AA10-0103	2
31*	Flow Plate	AA10-0102	2
32	Body	AA10-0104	

* Included in Repair Kit

** Included in Seal Kit



Dimensions:

Height – 8-11/16”

Width – 9”

Depth – 9”

Weight: 28 pounds

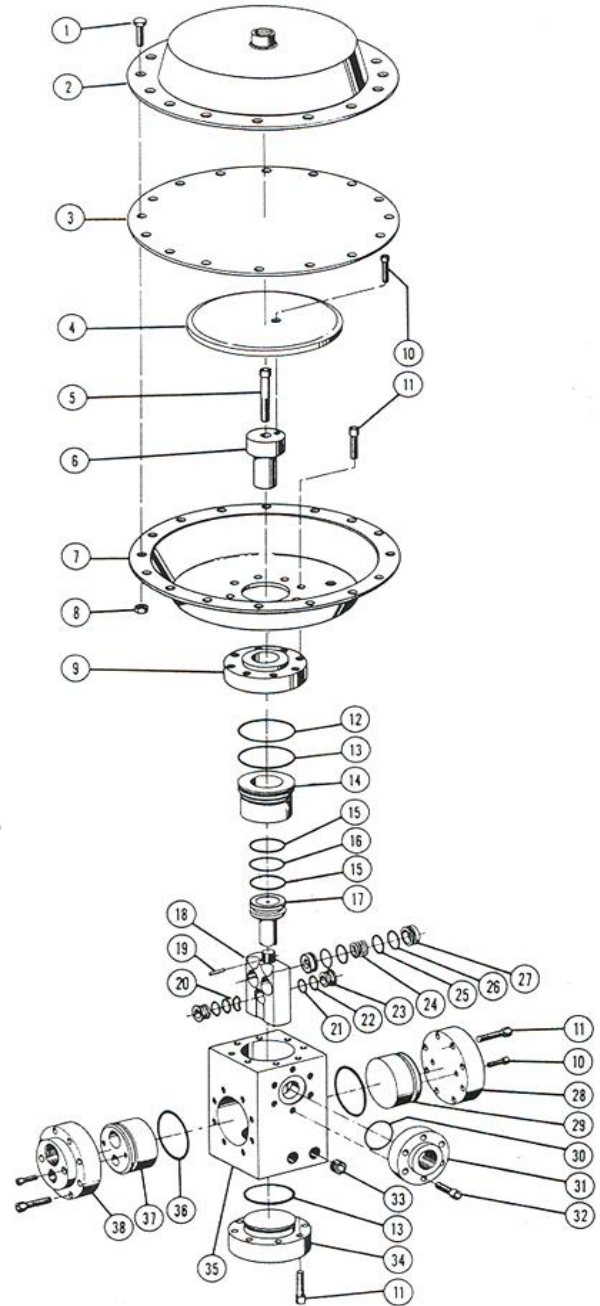
HYDRAULIC PRESSURE REGULATOR AIR OPERATOR

3/4" FULL FLOW

Item	Description	Part No.	Qty.
Assy.	Regulator Valve	AA11-2100	
Kit	Repair Kit (Contains Seal Kit)	AA10-2199	
Kit	Seal Kit	AA10-2197	
1	Screw	AA11-2111	16
2	Diaphragm Cover, Top	AA11-2105	1
3	Diaphragm	AA11-2101	1
4	Plate, Diaphragm	AA11-2107	1
5	Screw	AA11-2110	1
6	Spacer	AA11-2108	1
7	Diaphragm Cover, Bottom	AA11-2106	1
8	Nut	HE80-1200	16
9	Adapter	AA11-2109	1
10*	Screw	AA10-2114	5
11	Screw	HE26-2024	32
12**	O-Ring	HG17-2230	1
13**	O-Ring	HG17-2228	2
14	Guide, Plunger	AA11-2102	1
15**	Back-Up Ring	HH41-2222	2
16**	O-Ring	HG17-2222	1
17	Plunger	AA11-2103	1
18	Seal Container	AA11-2104	1
19	Pin	AA11-2112	1
20*	Wave Spring	AA10-2122	1
21**	Back-Up Ring	HH41-2017	2
22**	O-Ring	HG17-2017	2
23*	Seal Ring	AA10-2121	2
24*	Spring	AA10-2108	2
25**	Back-Up Ring	HH41-2020	4
26**	O-Ring	HG17-2020	4
27*	Seal Ring	AA10-2104	4
28	Flange, Blind	AA10-2110	1
29*	Flow Port, Blank	AA10-2109	1
30**	O-Ring	HG17-2220	1
31	Flange, 1" Pipe	AA10-2111	1
32	Screw	AA10-2116	6
33	Plug	AA10-2115	2
34	Flange, Lower	AA10-2120	1
35	Body	AA10-2107	1
36**	O-Ring	HG17-2145	2
37*	Flow Plate	AA10-2105	1
38	Flange	AA10-2103	1
39**	O-Ring (Not Shown)	HG17-2026	1
40**	O-Ring (Not Shown)	HG17-2018	1

* Included in Repair Kit

** Included in Seal Kit



Dimensions:

Height – 14-7/32"

Width – 13-1/8"

Depth – 13-1/8"

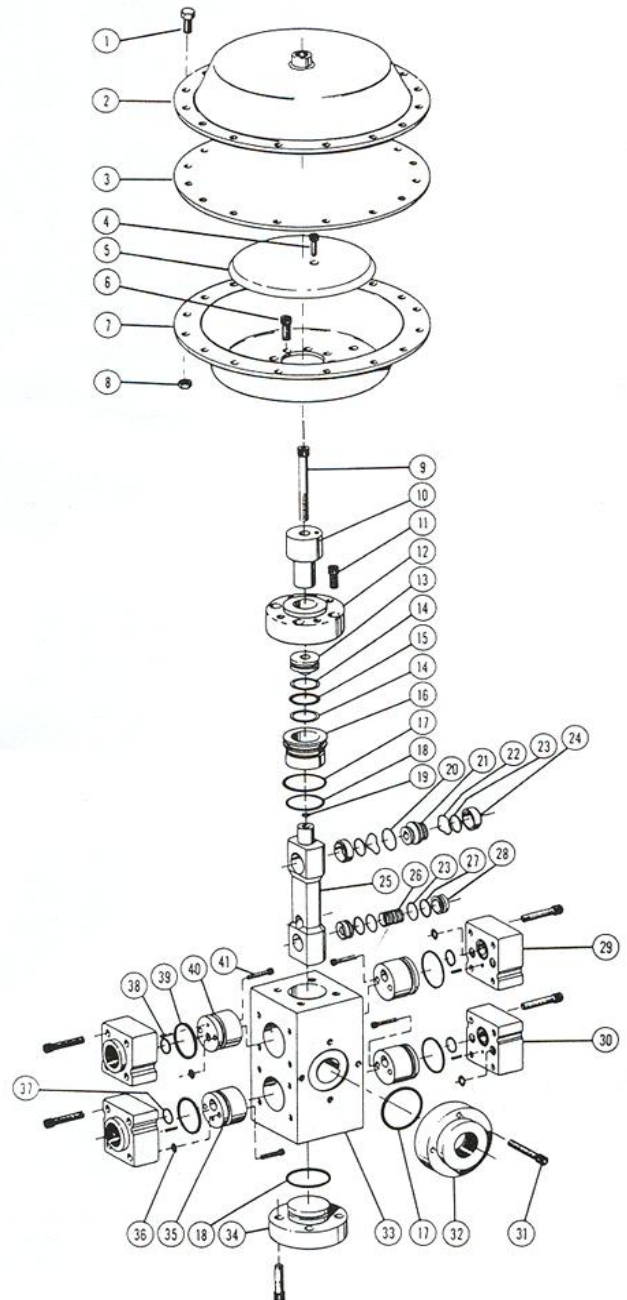
Weight: 67 pounds

HYDRAULIC PRESSURE REGULATOR AIR OPERATOR

1" FULL FLOW

Item	Description	Part No.	Qty
Assy.	Regulator Valve	AA11-3100	
Kit	Repair Kit (Contains Seal Kit)	AA10-3199	
Kit	Seal Kit	AA10-3197	
1	Screw	HE40-1016	16
2	Diaphragm Cover, Top	AA11-2105	1
3	Diaphragm	AA11-2101	1
4	Screw	HE04-0012	1
5	Plate, Diaphragm	AA11-2107	1
6	Screw	HE04-2012	4
7	Diaphragm Cover, Bottom	AA11-2106	1
8	Nut	HE08-1200	16
9	Screw	HE26-2056	1
10	Spacer	AA11-3105	1
11	Screw	HE26-2016	4
12	Adapter	AA11-3101	1
13	Piston	AA11-3108	1
14**	Back-Up Ring	HH41-2218	2
15**	O-Ring	HG17-2218	1
16	Cylinder	AA11-3110	1
17**	O-Ring	HG17-2226	2
18**	O-Ring	HG17-2224	2
19**	O-Ring	HG17-2014	1
20**	O-Ring	HG17-2121	1
21*	Valve Cage	AA10-3112	1
22*	Wave Spring	AA10-3110	2
23**	O-Ring	HG17-2020	4
24*	Seal Ring, Vent	AA10-3111	2
25	Seal Container	AA11-3109	1
26*	Spring	AA10-2108	1
27**	Back-Up Ring	HH41-2020	2
28*	Seal Ring, Supply	AA10-2104	2
29	Flange, Blind	AA10-3109	1
30	Flange, 1" Pipe	AA10-3104	3
31	Screw	HE26-2024	24
32	Flange, 1-1/2" Pipe	AA10-3106	1
33	Body	AA10-3101	1
34	Flange, Lower	AA10-3108	1
35*	Flow Plate, Supply	AA10-3105	2
36**	O-Ring	HG17-2010	8
37**	O-Ring	HG17-2018	4
38	Pin	AA10-0103	4
39**	O-Ring	HG17-2225	4
40*	Flow Plate, Vent	AA10-3103	2
41*	Screw	HE06-9112	8

Dimensions:



* Included in Repair Kit

** Included in Seal Kit

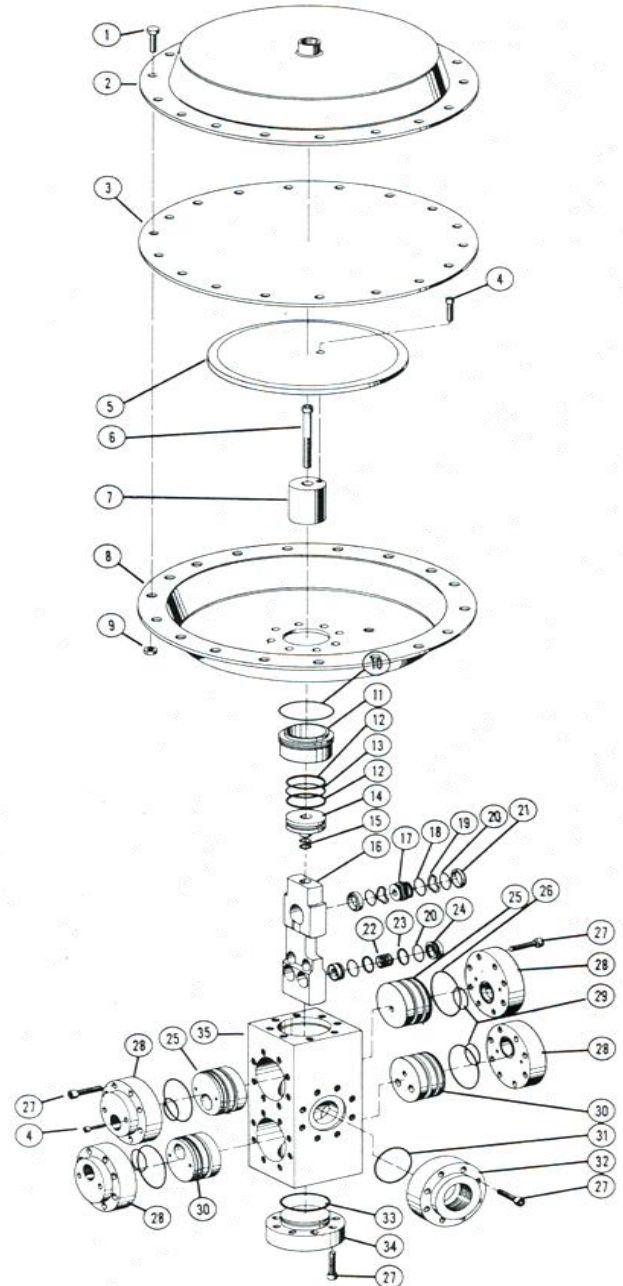
HYDRAULIC PRESSURE REGULATOR AIR OPERATOR

1-1/2" FULL FLOW

Item	Description	Part No.	Qty
Assy.	Regulator Valve	AA11-4100	
Kit	Repair Kit (Contains Seal Kit)	AA10-4199	
Kit	Seal Kit	AA10-4197	
1	Screw	AA11-3104	18
2	Diaphragm Cover, Top	AA12-4101	1
3	Diaphragm	AA11-4103	1
4	Screw	AA10-2114	9
5	Plate, Diaphragm	AA11-4104	1
6	Screw	HE26-2056	1
7	Spacer	AA11-4113	1
8	Diaphragm Cover, Bottom	AA11-4102	1
9	Nut	HE801200	18
10**	O-Ring	HG17-2230	1
11	Guide Plunger	AA11-4106	1
12**	Back-Up Ring	HH41-2224	1
13**	O-Ring	HG17-2224	1
14	Plunger	AA11-4105	1
15**	O-Ring	HG17-2013	1
16	Seal Container	AA11-4112	1
17*	Cage, Valve	AA10-3112	1
18**	O-Ring	HG17-2121	1
19*	Wave Spring	AA10-3110	2
20**	O-Ring	HG17-2020	6
21*	Seal Ring, Vent	AA10-3111	2
22*	Spring	AA10-2108	2
23**	Back-Up Ring	HH41-2020	4
24*	Seal Ring Supply	AA10-2104	4
25*	Flow Port, Vent	AA11-4110	2
26**	O-Ring	HG17-2145	4
27	Screw	HE26-2024	48
28	Flange	AA11-4109	4
29**	O-Ring	HG17-2026	4
30*	Flow Port, Supply	AA11-4111	2
31**	O-Ring	HG17-2226	1
32	Flange, 1-1/2" Pipe	AA11-4108	1
33**	O-Ring	HG17-2228	1
34	Flange, Lower	AA10-2120	1
35	Body	AA11-4107	1
36	Screw (Not Shown)	AA11-3102	8

* Included in Repair Kit

** Included in Seal Kit



Dimensions:

Height – 17-1/8"

Width – 16-7/8"

Depth – 16-7/8"

Weight: 106 pounds