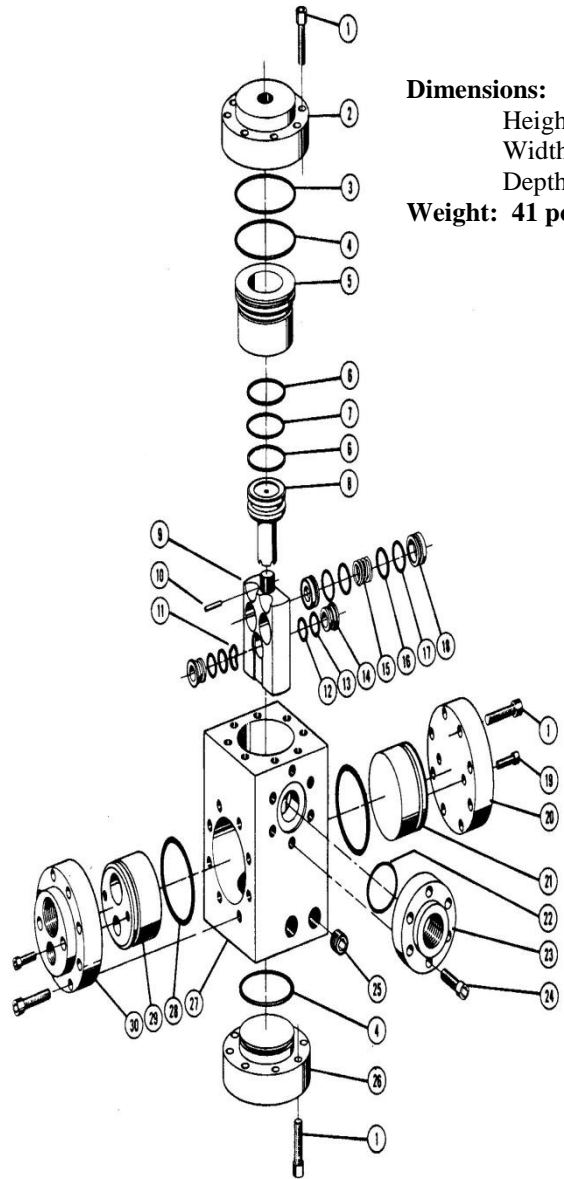


# HYDRAULIC PRESSURE REGULATOR HYDRAULIC OPERATOR

3/4" FULL FLOW

Item	Description	Part No.	Qty
Assy.	Regulator Valve	AA12-2100	
Kit	Repair Kit (Contains Seal Kit)	AA10-2199	
Kit	Seal Kit	AA10-2197	
1	Screw	HE26-2024	32
2	Hydraulic Head	AA12-2102	1
3**	O-Ring	HG17-2230	1
4**	O-Ring	HG17-2228	2
5	Guide, Plunger	AA11-2102	1
6**	Back-Up Ring	HH41-2222	2
7**	O-Ring	HG17-2222	1
8	Plunger	AA11-2103	1
9	Seal Container	AA11-2104	1
10	Pin	AA11-2112	1
11*	Wave Spring	AA10-2122	1
12**	Back-Up Ring	HH41-2017	2
13**	O-Ring	HG17-2017	2
14*	Seal Ring	AA10-2121	2
15*	Spring	AA10-2108	2
16**	Back-Up Ring	HH41-2020	4
17**	O-Ring	HG17-2020	4
18*	Seal Ring	AA10-2104	4
19*	Screw	AA10-2114	4
20	Flange, Blank	AA10-2110	1
21*	Flow Port, Blank	AA10-2109	1
22**	O-Ring	HG17-2220	1
23	Flange, 1" Pipe	AA10-2111	1
24	Screw	AA10-0115	6
25	Plug	AA10-2115	2
26	Flange, Lower	Aa10-2120	1
27	Body	AA10-2107	1
28**	O-Ring	HG17-2145	2
29	Flow Port	AA10-2105	1
30	Flange	AA10-2103	1
31**	O-Ring (Not Shown)	HG17-2026	1
32**	O-Ring (Not Shown)	HG17-2018	1

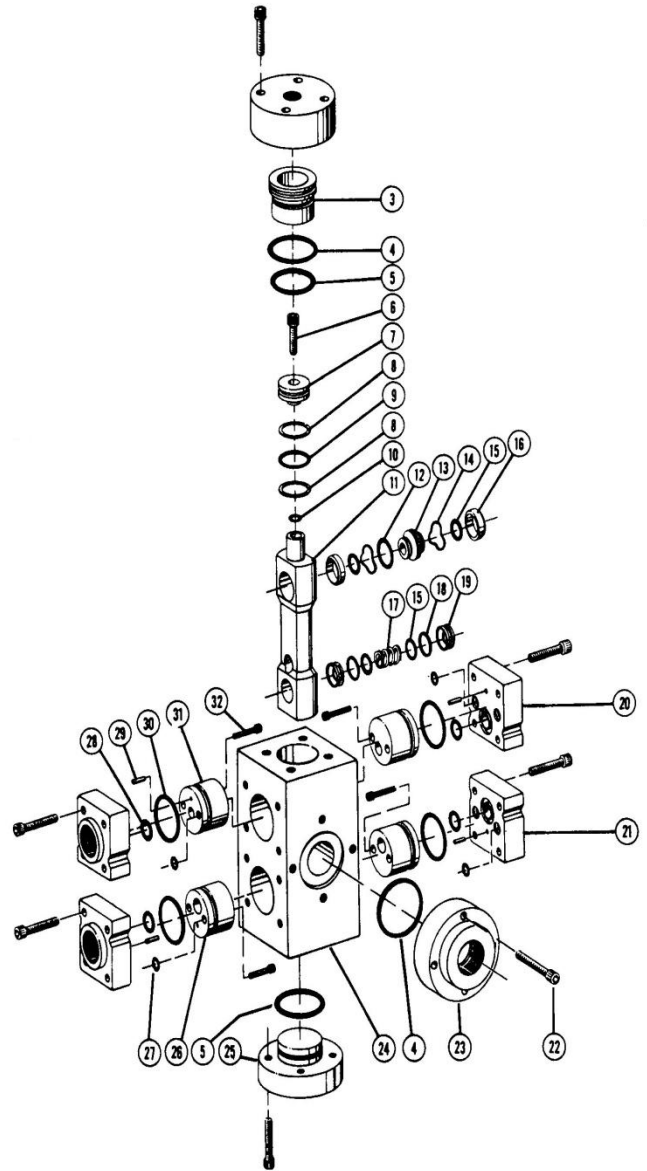


**Dimensions:**  
 Height – 9”  
 Width – 6-7/8”  
 Depth – 5-1/4”  
**Weight: 41 pounds**

# HYDRAULIC PRESSURE REGULATOR HYDRAULIC OPERATOR

**1" FULL FLOW**

Item	Description	Part No.	Qty
Assy.	Regulator Valve	AA12-3100	
Kit	Repair Kit (Contains Seal Kit)	AA10-3199	
Kit	Seal Kit	AA10-3197	
1	Screw	HE26-2032	4
2	Hydraulic Head	AA12-3101	1
3	Cylinder	AA11-3110	1
4**	O-Ring	HG17-2226	2
5**	O-Ring	HG17-2224	2
6	Screw	HE26-2020	1
7	Piston	AA12-3103	1
8**	Back-Up Ring	HH41-2218	2
9**	O-Ring	HG17-2218	1
10**	O-Ring	HG17-2014	1
11	Seal Container	AA11-3109	1
12**	O-Ring	HG17-2121	1
13*	Valve Cage	AA10-3112	1
14*	Wave Spring	AA10-3110	2
15**	O-Ring	HG17-2020	4
16*	Seal Ring, Vent	AA10-3111	2
17*	Spring	AA10-2108	1
18**	Back-Up Ring	HH41-2020	2
19*	Seal Ring, Supply	AA10-2104	2
20	Flange, Blind	AA10-3109	1
21	Flange, 1" Pipe	AA10-3104	3
22	Screw	HE26-2024	24
23	Flange, 1-1/2" Pipe	AA10-3106	1
24	Body	AA10-3101	1
25	Flange, Lower	AA10-3108	1
26*	Flow Plate, Supply	AA10-3105	2
27**	O-Ring	HG17-2010	8
28**	O-Ring	HG17-2018	4
29	Pin	AA10-0103	4
30**	O-Ring	HG17-2225	4
31*	Flow Plate, Vent	AA10-3103	2
32*	Screw	HE06-9112	8



\* Included in Repair Kit

\*\* Included in Seal Kit

**Dimensions:**

Height – 9-1/2"

Width – 7-1/2"

Depth – 5-1/2"

**Weight: 61 pounds**

# HYDRAULIC PRESSURE REGULATOR HYDRAULIC OPERATOR

Item	Description	Part No.	Qty
Assy.	Regulator Valve	AA12-4100	
Kit	Repair Kit (Contains Seal Kit)	AA12-4199	
Kit	Seal Kit	AA12-4197	
1	Screw	AA12-4102	8
2	Hydraulic Head	AA12-4101	1
3**	O-Ring	HG17-2229	1
4**	O-Ring	HG17-2230	1
5	Guide, Plunger	AA11-4106	1
6	Screw	AA10-2116	1
7**	Back-Up Ring	HH41-2224	2
8**	O-Ring	HG17-2224	1
9	Plunger	AA11-4105	1
10**	O-Ring	HG17-2013	1
11	Seal Container	AA11-4112	1
12*	Cage, Valve	AA10-3112	1
13**	O-Ring	HG17-2121	1
14*	Wave Spring	AA10-3110	2
15**	O-Ring	HG17-2020	6
16*	Seal Ring, Vent	AA10-3111	2
17*	Spring	AA10-2108	2
18**	Back-Up Ring	HH41-2020	4
19*	Seal Ring, Supply	AA10-2104	4
20*	Flow Port, Vent	AA11-4110	2
21**	O-Ring	HG17-2145	4
22	Screw	HE26-2024	48
23	Flange	AA11-4109	4
24**	O-Ring	HG17-2026	4
25*	Flow Port, Supply	AA11-4111	2
26**	O-Ring	HG17-2226	1
27	Flange, 1-1/2" Pipe	AA11-4108	1
28**	O-Ring	HG17-2228	1
29	Flange, Lower	AA10-2120	1
30	Screw	AA11-2110	8
31	Body	AA11-4107	1

\* Inc  
\*\* Inc

1-1/2" FULL FLOW

