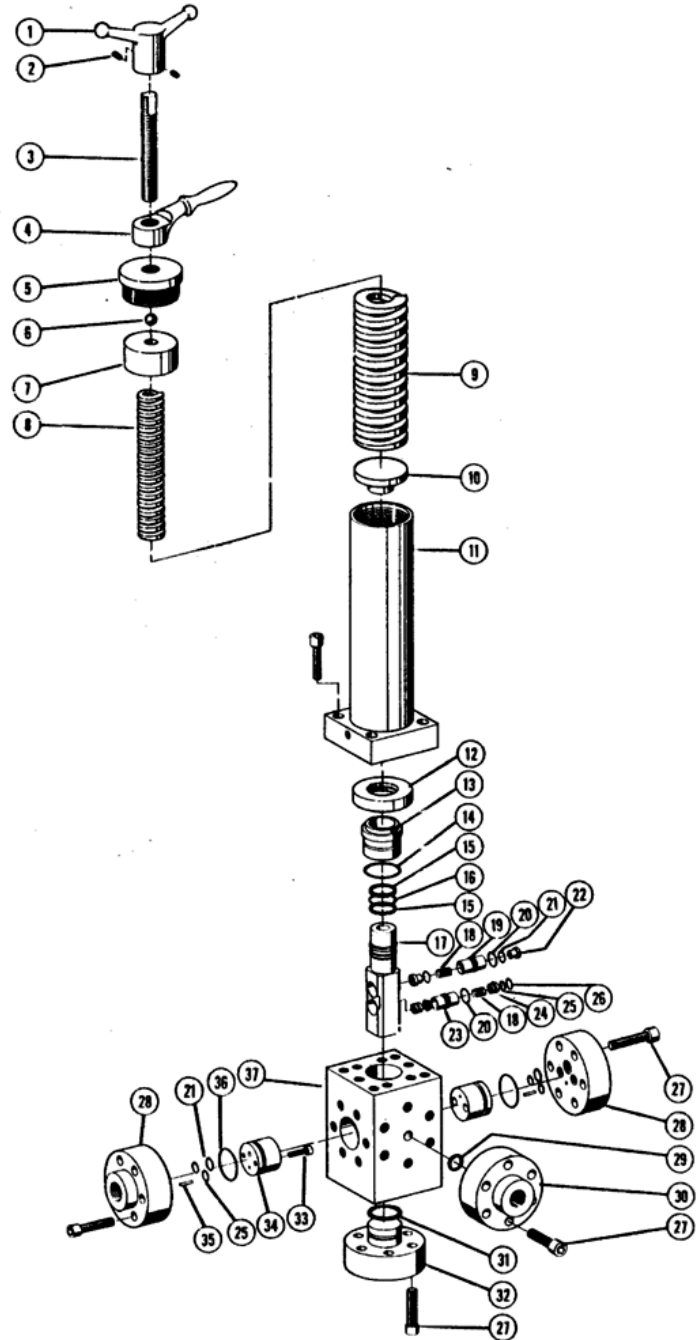


# HYDRAULIC PRESSURE REGULATOR MANUAL OPERATOR

## 1/8" FULL FLOW MANUAL REGULATOR

Item	Description	Part No.	Qty
Assy.	Regulator Valve	AA10-0100	
Kit	Repair Kit	AA10-0199	
Kit	Seal Kit	AA10-0197	
1	Handle	AA10-0114	1
2	Set Screw	AA10-0115	2
3	Adjusting Screw	AA10-0116	1
4	Lock Handle	AA10-0117	1
5	Sealing Plug	AA10-0118	1
6	Ball	AA10-0119	1
7	Guide Spring	AA10-0120	1
8	Compression Spring	AA10-0121	1
9	Compression Spring	AA10-0122	1
10	Spring Plate	AA10-0123	1
11	Adjustment Head	AA10-0124	1
12	Adapter	AA10-0125	1
13	Plunger Guide	AA10-0106	1
14**	O-Ring	HG17-2026	1
15**	Back-up Ring	HH41-2020	2
16**	O-Ring	HG17-2020	1
17*	Seal Container	AA10-0111	1
18*	Spring	AA10-0109	2
19*	Seal Cage, Outlet	AA10-0126	1
20**	O-Ring	HG17-2013	2
21**	O-Ring	HG17-2012	4
22*	Shear Seal Vent	AA10-0107	2
23*	Seal Cage, Inlet	AA10-0127	1
24*	Shear Seal Supply	AA10-0110	2
25**	O-Ring	HG17-2010	6
26**	Back-up Ring	HH41-2010	2
27	Screw (old style reg. 28)	HE26-2024	22
28	Flange	AA10-0101	2
29**	O-Ring	HG17-2014	1
30	Outlet Flange	AA10-0112	1
31**	O-Ring	HG17-2214	1
32	Lower Flange	AA10-0105	1
33	Screw	AA10-0113	4
34*	Flow Plate	AA10-0102	2
35	Pin	AA10-0103	2
36**	O-Ring	HG17-2024	2
37	Body	AA10-0104	1



\* Included in Repair Kit

\*\* Included in Seal Kit

### Dimensions:

Height – 28-11/16"

Width – 9"

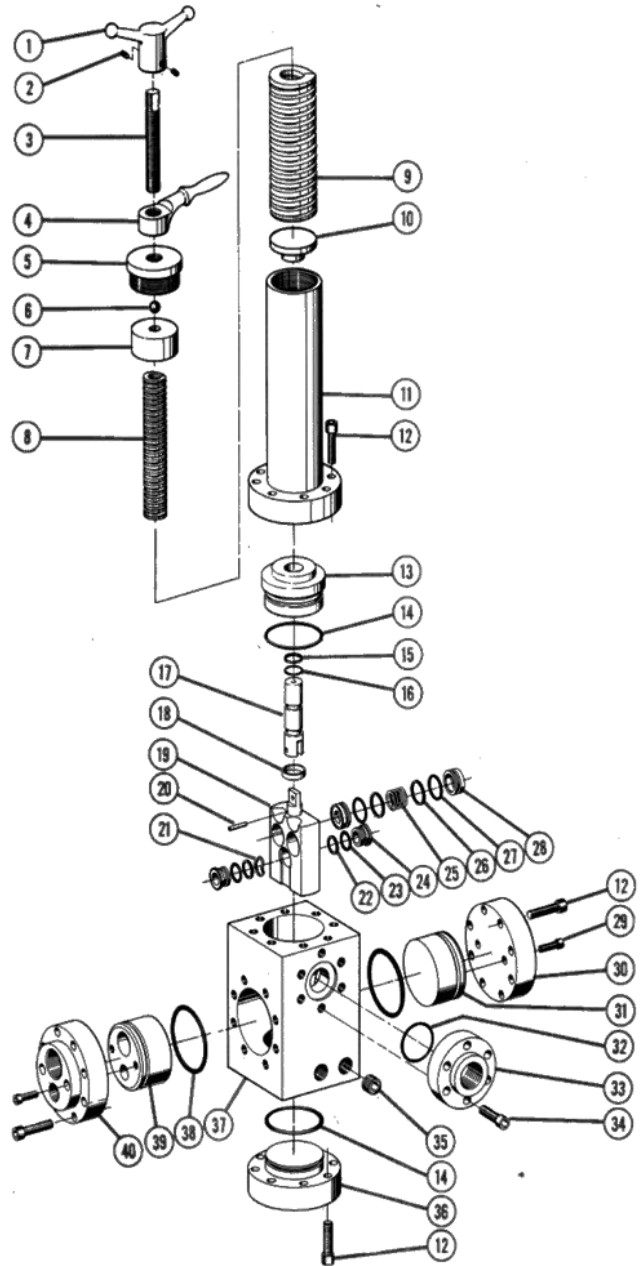
Depth – 9"

**Weight: 28 pounds**

# HYDRAULIC PRESSURE REGULATOR MANUAL OPERATOR

## 3/4" FULL FLOW MANUAL REGULATOR

Item	Description	Part No.	Qty
Assy.	Regulator Valve	AA10-2100	
Kit	Repair Kit (Contains Seal Kit)	AA10-2199	
Kit	Seal Kit	AA10-2197	
1	Handle	AA10-0114	1
2	Set Screw	AA10-0115	2
3	Adjusting Screw	AA10-0116	1
4	Lock Handle	AA10-0117	1
5	Sealing Plug	AA10-0118	1
6	Ball	AA10-0119	1
7	Guide Spring	AA10-0120	1
8	Compression Spring	AA10-2117	1
9	Compression Spring	AA10-2118	1
10	Spring Plate	AA10-0124	1
11	Adjustment Head	AA10-2119	1
12	Screw	HE26-2024	32
13	Plunger Guide	AA10-2101	1
14**	O-Ring	HG17-2228	2
15**	Back-up Ring	HH42-2016	2
16**	O-Ring	HG17-2016	1
17	Plunger	AA10-2102	1
18	Pin Retainer	AA10-2113	1
19	Seal Container	AA10-2106	1
20	Pin	AA10-2112	1
21*	Wave Spring	AA10-2122	1
22**	Back-up Ring	HH41-2017	2
23**	O-Ring	HG17-2017	2
24*	Seal Ring	AA10-2121	2
25*	Spring	AA10-2108	2
26**	Back-up Ring	HH41-2020	4
27**	O-Ring	HG17-2020	4
28*	Seal Ring	AA10-2104	4
29*	Screw	AA10-2114	4
30	Flange, Blind	AA10-2110	1
31*	Flow Plate, Blind	AA10-2109	1
32**	O-Ring	HG17-2220	1
33	Flange, 1" Pipe	AA10-2111	1
34	Screw	AA10-2116	6
35	Plug	AA10-2115	2
36	Flange, Lower	AA10-2120	1
37	Body	AA10-2107	1
38**	O-Ring	HG17-2145	2
39*	Flow Port	AA10-2105	1
40	Flange	AA10-2103	1
41**	O-Ring (Not Shown)	HG17-2026	1
42**	O-Ring (Not Shown)	HG17-2018	1



**Dimensions:**

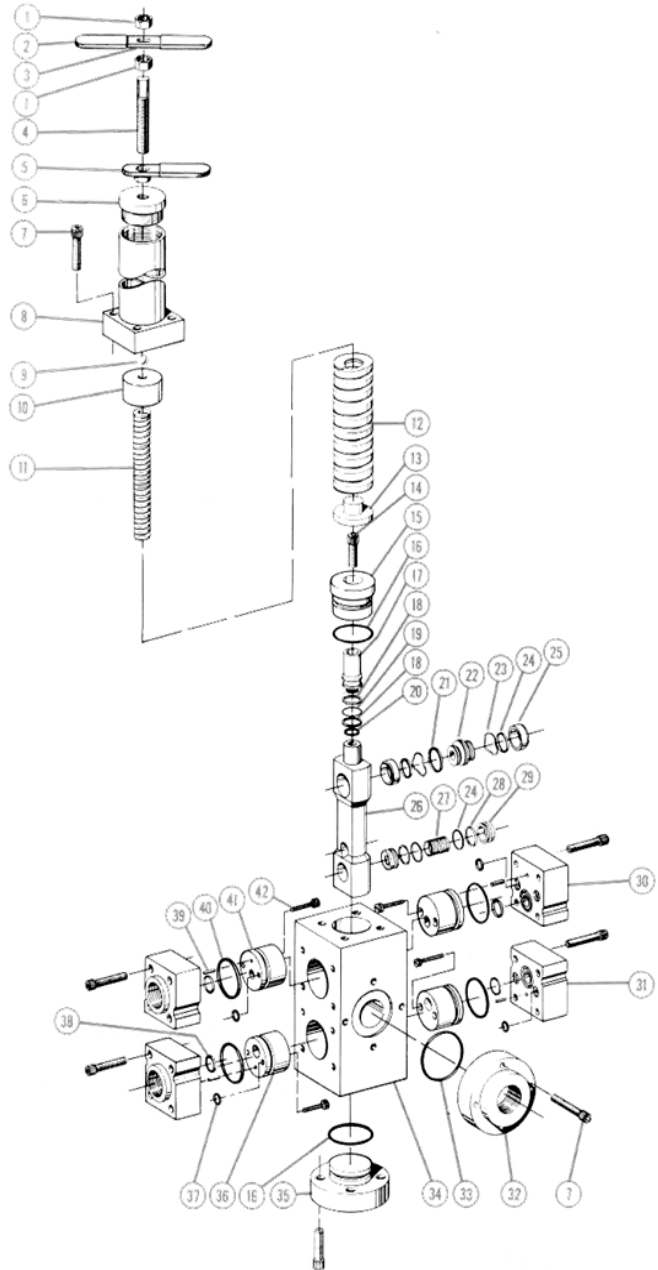
Height – 22”  
 Width – 6-7/8”  
 Depth – 5-1/4”

**Weight: 48 pounds**

# HYDRAULIC PRESSURE REGULATOR MANUAL OPERATOR

## 1" FULL FLOW MANUAL REGULATOR

Item	Description	Part No.	Qty
Assy.	Regulator Valve	AA10-3100	
Kit	Repair Kit (Contains Seal Kit)	AA10-3199	
Kit	Seal Kit	AA10-3197	
1	Nut	HE80-1600	2
2	Handle Cover	AA10-3115	1
3	Handle	AA10-3116	1
4	Screw Adjusting	AA10-0116	1
5	Lock, Handle	AA10-3114	1
6	Sealing, Plug	AA10-0118	1
7	Screw	HE26-2024	28
8	Adjusting Head	AA10-0123	1
9	Ball	AA10-0119	1
10	Spring Guide	AA10-0120	1
11	Spring Compression	AA10-0121	1
12	Spring	AA10-3113	1
13	Spring Plate	AA10-0124	1
14	Screw	HE26-2020	1
15	Hanger Guide	AA10-3102	1
16**	O-Ring	HG17-2224	1
17	Piston	AA10-3120	1
18**	Back-Up Ring	HH41-2117	2
19**	O-Ring	HG17-2117	1
20**	O-Ring	HG17-2014	1
21**	O-Ring	HG17-2121	1
22*	Valve Cage	AA10-3112	1
23*	Wave Spring	AA10-3110	2
24**	O-Ring	HG17-2020	4
25*	Seal Ring, Vent	AA10-3111	2
26	Seal Container	AA10-3107	1
27*	Spring	AA10-2108	1
28**	Back-Up Ring	HH41-2020	2
29*	Seal Ring, Supply	AA10-2104	2
30	Flange, Blind	AA10-3109	1
31	Flange, 1" Pipe	AA10-3104	3
32	Flange, 1-1/2" Pipe	AA10-3106	1
33**	O-Ring	HG17-2226	1
34	Body	AA10-3101	1
35	Flange, Lower	AA10-3108	1
36*	Flow Plate Supply	AA10-3105	2
37**	O-Ring	HG17-2010	8
38**	O-Ring	HG17-2018	4
39	Pin	AA10-0103	4
40**	O-Ring	HG17-2225	4
41*	Flow Plate Vent	AA10-3103	2
42*	Screw	HE06-9112	8



**Dimensions:**

Height – 21”

Width – 6-7/8”

Depth – 7”

**Weight: 69 pounds**

\* Included in Repair Kit

\*\* Included in Seal Kit