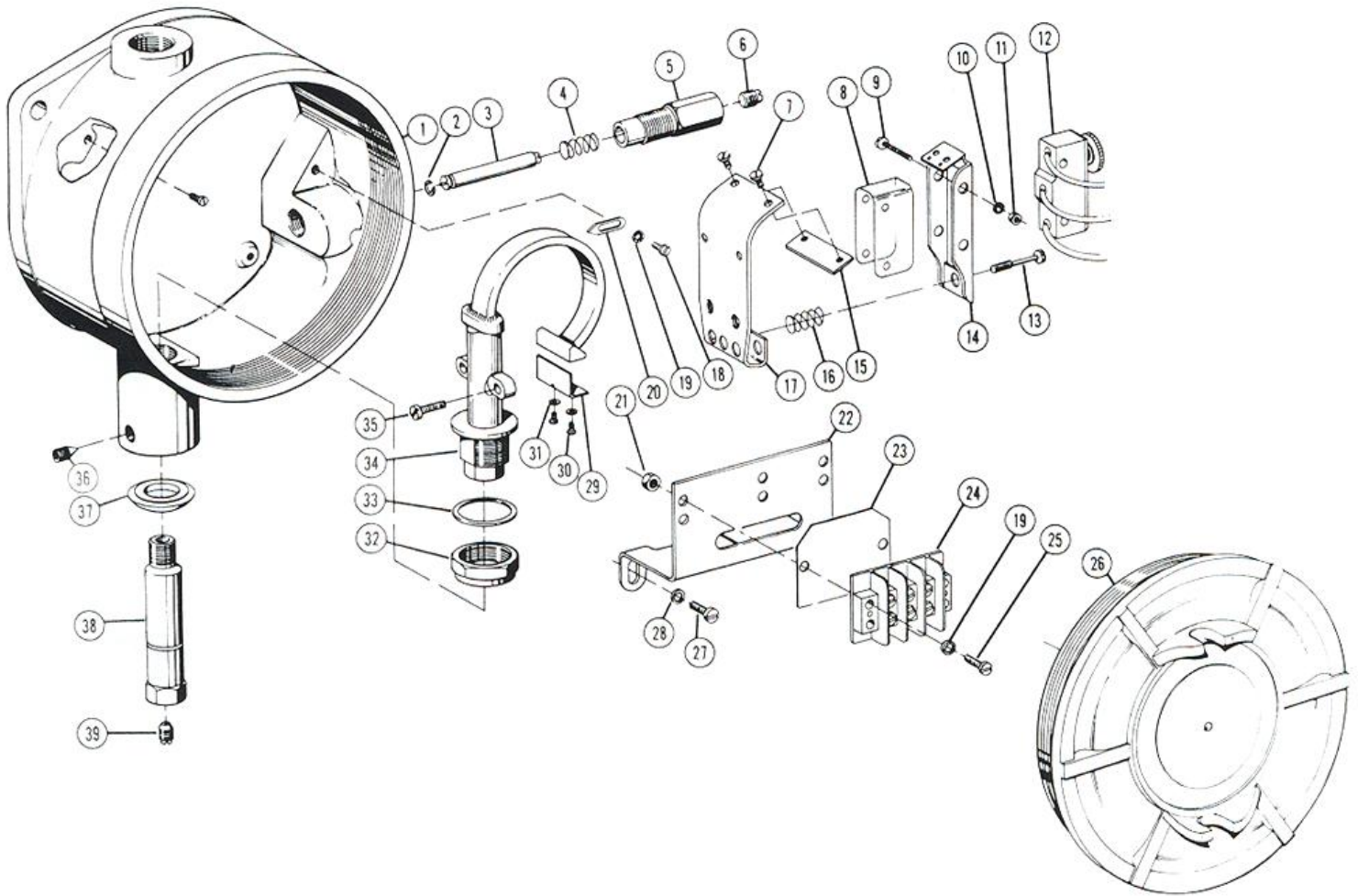


# PRESSURE SWITCHES

## HYDRO-ELECTRIC PRESSURE SWITCH

<b>Item</b>	<b>Description</b>	<b>Part No.</b>	<b>Qty</b>
Assy.	Hydro-Electric Pressure Switch	BB00-0100	
Kit	Repair Kit	BB00-0199	
1	Housing, Explosion Proof	BB00-0123	1
2	Retainer Extension	BB00-1027	1
3	Screw Extension	BB00-0126	1
4	Spring	BB00-0141	1
5	Adjusting Fitting	BB00-0125	1
6	Access Screw	BB00-0124	1
7*	Screw	HE27-2004	2
8*	Insulator, Limit Switch	BB00-0106	1
9*	Screw	HE19-1014	2
10*	Lock washer	HE75-0100	2
11*	Nut	HE80-0100	2
12*	Limit Switch Assy.	BB00-0107	1
13*	Adjusting Screw	BB00-0116	1
14*	Bracket, Limit Switch	BB00-0110	1
15*	Bracket, Clamp	BB00-0104	1
16*	Overload Spring	BB00-0115	1
17*	Bracket Assembly	BB00-0102	1
18	Screw	HE27-2006	1
19	Lock washer	HE75-0200	3
20	Stop Plate	BB00-0128	1
21	Nut	HE80-0200	2
22	Mounting Bracket	BB00-0133	1
23	Insulator	BB00-0140	1
24	Terminal Block	BB00-0119	1
25	Screw	HE27-2010	2
26	Cover, Explosion Proof	BB00-0134	1
27	Screw	HE27-3006	2
28	Lock washer	HE75-0300	2
29*	Bracket, Contact	BB00-0113	1
30*	Screw	HE27-1004	2
31*	Lock washer	HE75-0500	2
32*	Retaining Nut	BB00-0142	1
33*	Gasket	BB00-0132	1
34*	Bourdon Tube Kit	BB00-0101	1
35*	Screw	HE27-4010	2
36	Set Screw	HE20-5008	2
37	Seal	BB00-0121	1
38	Pressure Fittings	BB00-0120	1
39	Surge Dampener	BB00-0112	1



**Dimensions:**

Height – 8-5/8”

Width – 6-1/2”

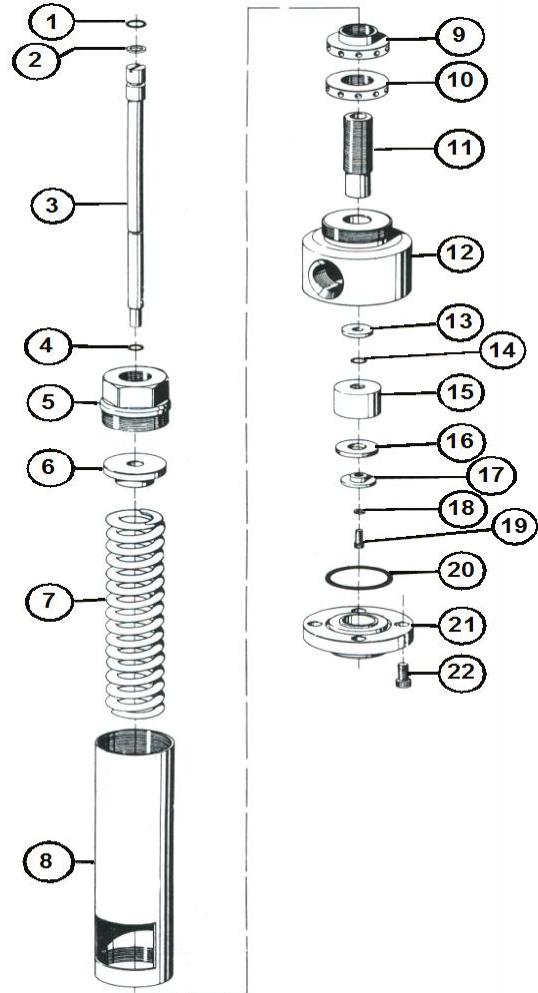
Depth – 4-3/8”

**Weight: 6 Pounds**

# PRESSURE SWITCHES

## HYDRO-PNEUMATIC PRESSURE SWITCH

Item	Description	Part No.	Qty
Assy.	Hydro-Pneumatic Pressure Switch 3000 PSI	BB50-0100	
Assy.	Hydro-Pneumatic Pressure Switch 5000 PSI	BB50-0200	
Assy.	Hydro-Pneumatic Pressure Switch 1500 PSI	BB50-0300	
Kit	Repair Kit	BB50-0199	
1*	O-Ring	HG17-2111	1
2*	Back-Up Ring	HH41-2111	1
3	Rod	BB50-0113	1
4*	O-Ring	HG17-2012	1
5	Fluid Inlet Body	BB50-0115	1
6	Spring Retainer	BB50-0114	1
7	Spring		
	For 3000 PSI	BB50-0112	
	For 5000 PSI	BB50-0201	
	For 1500 PSI	BB50-0301	
8	Sleeve	BB50-0111	1
9	Adjustment Nut	BB50-0110	1
10	Stop	BB50-0109	1
11	Male Threaded Insert	BB50-0116	1
12	Inlet Body	BB50-0108	1
13	Spacer	BB50-0107	1
14*	O-Ring	HG17-2012	1
15	Sleeve	BB50-0106	1
16*	Seal	BB50-0101	1
17	Retainer	BB50-0103	1
18	Lock Washer	HE75-1200	1
19	Cap Screw	BB50-0102	1
20*	O-Ring	HG17-2225	1
21	Outlet Body	BB50-0105	1
22	Cap Screw	HE04-2012	1



**Dimensions:**

Height – 15-1/2”

Width – 3-1/4”

Depth – 3-1/4”

**Weight: 17 Pounds**

