

# PRESSURE TRANSMITTERS

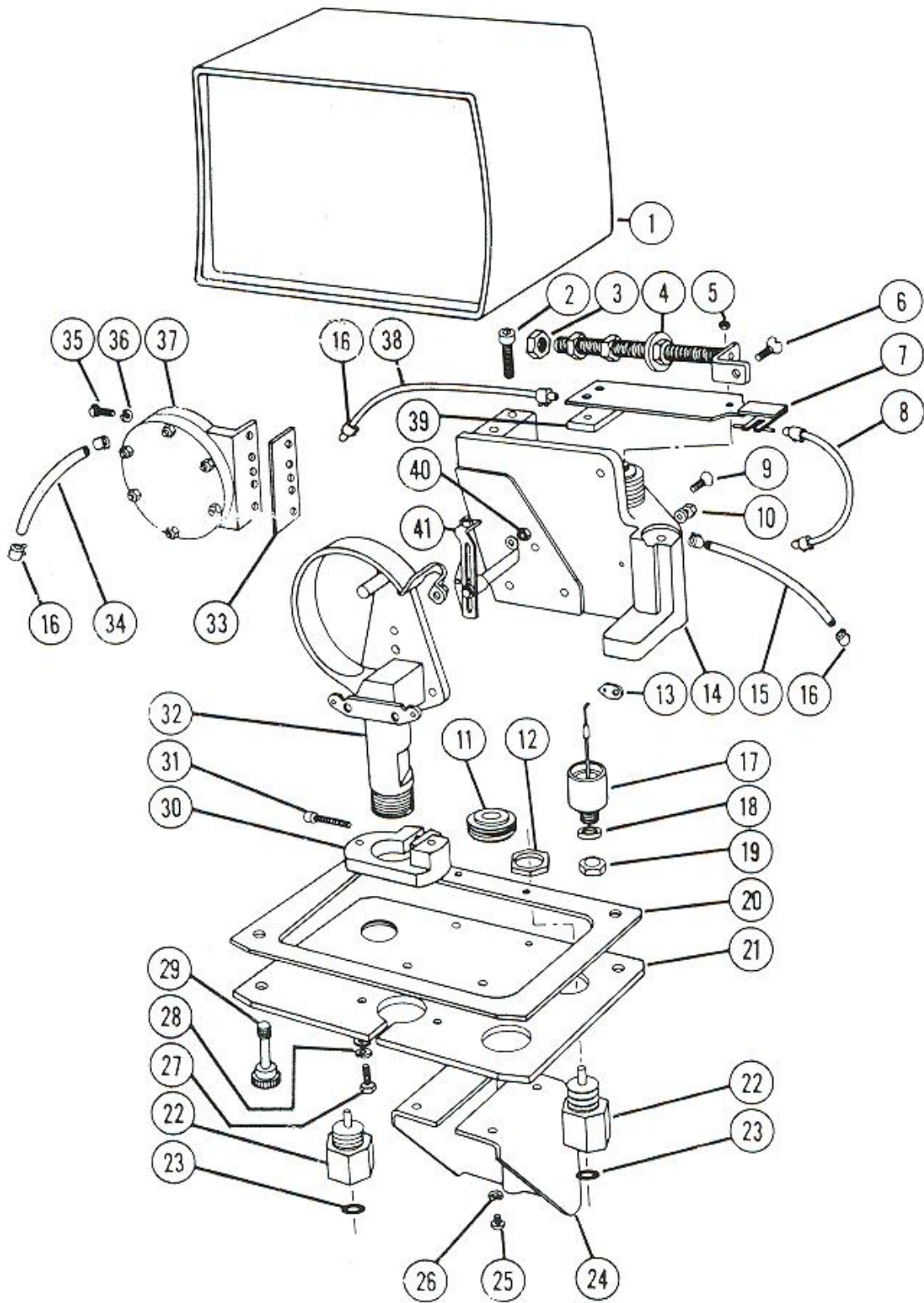
## HYDRAULIC TO AIR PRESSURE TRANSMITTERS – 3,000, 6,000 AND 10,000 PSI

Item	Description	Part No.	Qty
Assy.	0-3000 PSI Transmitter	BA00-0100	
Assy.	0-6000 PSI Transmitter	BA00-1100	
Assy.	0-10,000 PSI Transmitter	BA00-2100	
Kit	Repair Kit	BA00-0199	
Kit	Tubing Kit	BA00-0142	
Kit	Conversion Kit from Old Style PT360 to New Styles	BA00-0196	
1***	Cover	BA00-0101	1
2***	Screw	BA00-0106	2
3***	Nut, Locking	BA00-0105	3
4***	Nut, Scan	BA00-0104	1
5***	Screw	BA00-0102	1
7*	Flexure	N/A	1
8*	Tubing	N/A	2
9***	Screw	BA00-0102	3
10***	Nut	BA00-0109	1
11*	Safety Disc	N/A	1
12***	Nut	BA00-0121	2
13***	Link, Dash Dot	BA00-0116	1
14***	Body Assembly	BA00-0110	1
15**	Tubing	N/A	2
16**	Clamps	N/A	4
17***	Dash Dot & Bracket with Screw (includes 18 &19)	BA00-0117	1
18	Lock Washer	N/A	1
19	Nut	N/A	1
20*	Gasket	N/A	1
21***	Base Plate	BA00-0124	2
22***	Adapter	BA00-0126	2
23*	Filter	N/A	1
24***	Bracket, Transmitter Mt.	BA00-0125	4
25***	Screw	BA00-0128	4
26***	Washer	BA00-0129	2
27***	Screw	BA00-0130	1
28***	Clamp	BA00-0123	2
29***	Screw Cover	BA00-0131	1
30	Bourdon Assembly		
	For 0-3000 PSI	BA00-0132	
	For 0-6000 PSI	BA00-1101	
	For 0-10,000 PSI	BA00-2101	
31*	Gasket, Relay	N/A	2
32*	Screw	N/A	2
33*	Washer	N/A	2
34*	Relay	N/A	1
35**	Clamp	N/A	4
36***	Clamping Plate	BA00-0111	1
37***	Nut	BA00-0114	1
38***	Zero Adjust Assembly	BA00-0115	1
39***	Bracket & Stud	N/A	1
40*	Manifold (Relay)	N/A	1
41	3-15 PSI Regulator Required	AA60-1100	1

\* Included and Sold only in Repair Kit

\*\* Included and Sold only in Tubing Kit

\*\*\* Are not Stock Items – May not be available as separate items.



Height - 7"  
 Width - 6-7/8"  
 Depth - 5"

**Weight: 8 Pounds**