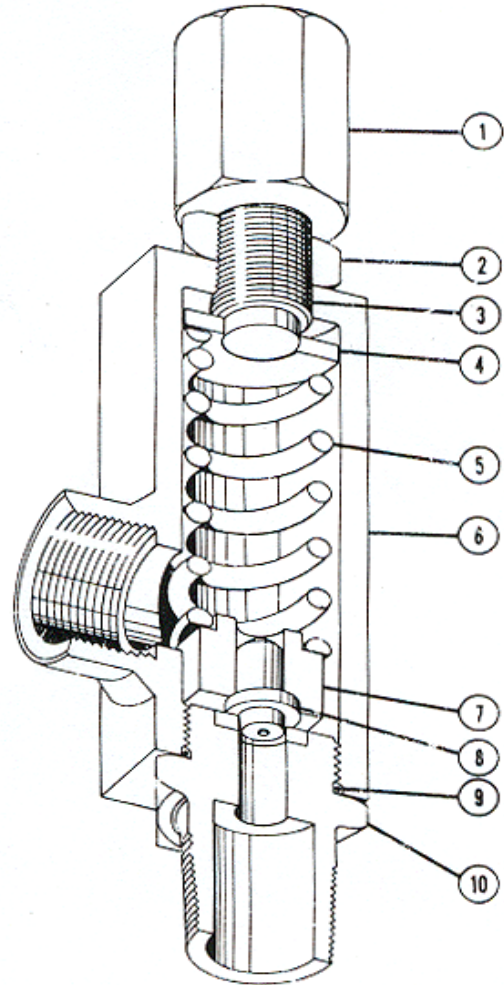


RELIEF VALVES

Item	Description	Part No.	Qty
Assy.	1,200 PSI Relief Valve	AG00-8900	
Assy.	1,750 PSI Relief Valve	AG00-8200	
Assy.	2,500 PSI Relief Valve	AG00-8400	
Assy.	3,300 PSI Relief Valve	AG00-8500	
Assy.	5,500 PSI Relief Valve	AG00-8700	
Kit	Repair Kit For 1,200 Relief Valve	AG00-8999	
Kit	Repair Kit For 1,750 Relief Valve	AG00-8299	
Kit	Repair Kit For 2,500 Relief Valve	AG00-8499	
Kit	Repair Kit For 3,300 Relief Valve	AG00-8599	
Kit	Repair Kit For 5,500 Relief Valve	AG00-8799	
1	Thread Cap	AG00-8901	1
2	Locknut	AG00-8903	1
3	Adjusting Screw	AG00-8902	1
4	Spring Rest	AG00-8905	1
5*	Spring	-	1
	For 1,200 PSI Relief Valve (Red)	AG00-8906	
	For 1,750 PSI Relief Valve (Blue)	AG00-8206	
	For 2,500 PSI Relief Valve (Green)	AG00-8406	
	For 3,300 PSI Relief Valve (White)	AG00-8506	
	For 5,500 PSI Relief Valve (Orange)	AG00-8705	
6	Body	AG00-8904	1
7*	Guide	AG00-8907	1
8*	Poppet	**	1
9*	O-Ring	HG17-2122	1
10	Seal Cap Assembly	**	1

* Included in Repair Kit

** Not Sold Separately



Part No.	Replaces
AG00-8100 Relief Valve, 2750 PSI	
AG00-8200 Relief Valve, 1750 PSI	AG00-1100
AG00-8400 Relief Valve, 2500 PSI	AG00-5100
AG00-8500 Relief Valve, 3300 PSI	AG00-2100
AG00-8600 Relief Valve, 4000 PSI	AG00-2200
AG00-8700 Relief Valve, 5500 PSI	AG00-3100
AG00-8800 Relief Valve, 6500 PSI	AG00-4100
AG00-8900 Relief Valve, 1200 PSI	AG00-0100

