

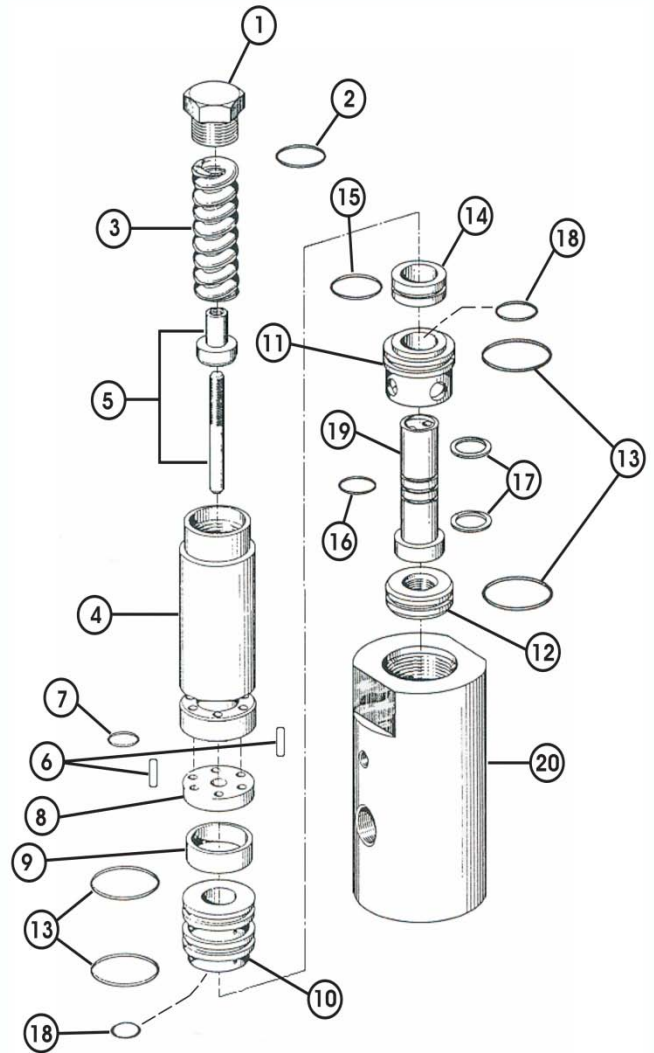
SUBSEA CONTROL VALVE - SPM

PART NO. AG20-0100 – 3/4" SPM VALVE

Item	Description	Part No.	Qty
Assy.	3/4" Sub-Plate Mtd. Control Valve	AG20-0100	
Assy.	3/4" Sub-Plate Mtd. Control Valve with Long Spacer	AG20-0200	
Assy.	3/4" Individual Pocket Only	AG20-0220	
Kit	Repair Kit	AG20-0199	
Kit	Repair Kit for Valve with Long Spacer	AG20-0299	
Kit*	Seal Kit	AG20-0197	
Kit*	Seal Kit for Valve with Long Spacer	AG20-0297	
1	Housing Plug	AG20-0101	1
2*	O-Ring	HG17-2214	2
3	Spring	AG20-0102	1
4	Spring Housing	AG20-0103	1
5	Spring Plate Assembly For:		1
	Standard 3/4" Valve	AG20-0104	
	3/4" Valve w/ Long Spacer	AG20-0202	
6	Spring Pin	AG20-0105	2
7*	O-Ring	HG17-2016	1
8**	Top Seal for Standard 3/4" Valve	AG20-0106	1
	Top Seal for Valve with Long Spacer	AG20-0203	
9	Spacer	AG20-0107	1
10	Upper Cage	AG20-0108	1
11	Lower Cage	AG20-0109	1
12**	Bottom Seal	AG20-0110	1
13**	O-Ring	HG17-2233	4
14	Piston	AG20-0111	1
15**	O-Ring	HG19-2218	1
16*	O-Ring	HG17-2210	1
17*	Retaining Ring	AG20-0112	2
18**	O-Ring	HG19-2214	2
19*	Spindle, Valve	AG20-0113	1
20	Individual Pocket for SPM with Long Spacer	AG20-0220	1
Kit	Tool Kit	AG20-0189	
Tool	Pull Tool for Bottom Seal	AG20-0190	
Tool	Snap Ring Tool	AG20-0191	
Tool	Pull Tool for Valve	AG20-0192	

* Included in Repair Kit

** Included in Seal Kit



SUBSEA CONTROL VALVE - SPM

PART NO. AG20-8800 – ¾” SPM VALVE DUMMY ASSEMBLY

Item	Description	Part No.	Qty
1	O-Ring	HG17-2223	1
2	Plug, ¾” Dummy SPM Valve	AG20-8801	1
3	¾” SPM Valve Cap	AG21-8802	1

PART NO. AG20-8900 – ¾” SPM VALVE DUMMY FOR “CAPTURED VENT”

Item	Description	Part No.	Qty
1	Cap, ¾” SPM, Long Style	AG20-8802	1
2	Plug, ¾” SPM, Captured Vent	AG20-8901	1
3	O-Ring	HG17-2223	4

PART NO. AG23-0300 – ¾” SPM VALVE DUMMY ASSEMBLY WITH STRAIGHT THRU PORT

Item	Description	Part No.	Qty
1	O-Ring	HG17-2223	2
2	Plug, ¾” SPM Dummy w/ Straight thru Port	AG23-0302	1
3	Cap, ¾” SPM Dummy w/ Straight thru Port	AG23-0301	1
4	O-Ring	HG17-2218	1

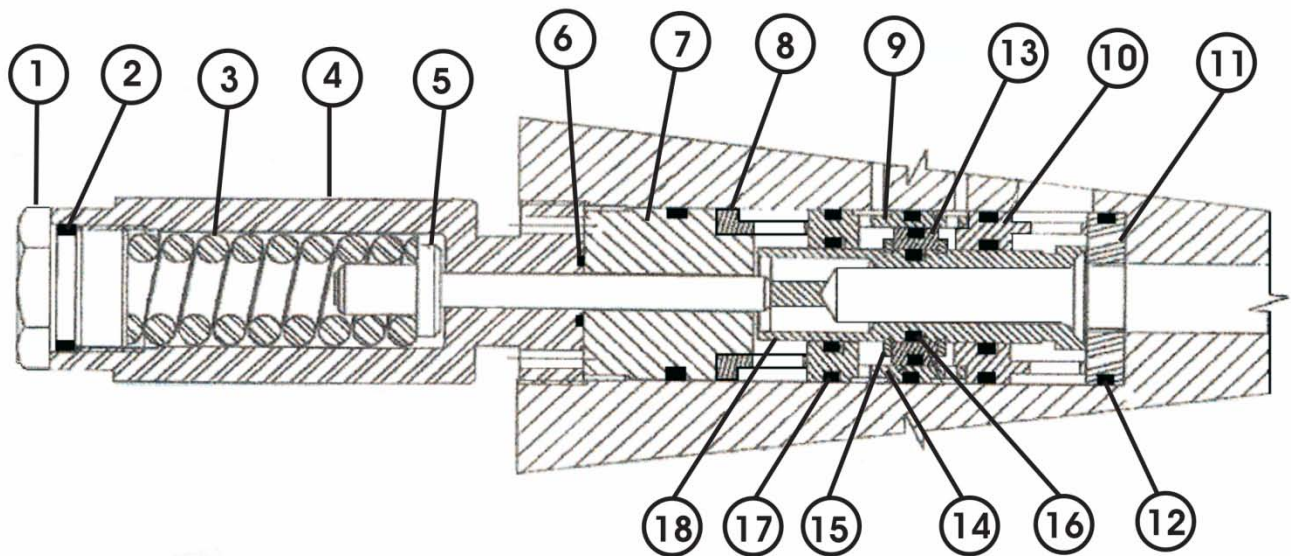
SUBSEA CONTROL VALVE - SPM

PART NO. AG20-0300 – 3/4" SPM VALVE WITH CAPTURED VENT

Item	Description	Part No.	Qty
Kit	Repair Kit	AG20-0399	
Kit*	Seal Kit	AG20-0397	
1	Housing Plug	AG20-0101	1
2**	O-Ring	HG17-2216	1
3	Spring	AG20-0102	1
4	Spring Housing	AG20-0103	1
5	Not Used	**	
6	Spring Plate Assembly	AG20-0202	1
7	Not Used	**	
8**	O-Ring	HG17-2016	1
9**	Top Seal	HA1879	1
10	Vent Cage	HJ7631	1
11	Upper Cage	AG20-0108	1
12	Lower Cage	AG20-0109	
13**	Bottom Seal	AG20-0110	1
14**	O-Ring	HG17-2223	5
15	Piston	AG20-0111	1
16**	O-Ring	HG19-2218	1
17**	Retaining Ring	AG20-0112	2
18**	O-Ring	HG17-2210	1
19**	O-Ring	HG19-2214	2
20*	Spindle Valve	AG20-0113	1

* Included in Repair Kit - (Includes Seal Kit)

** Included in Seal Kit



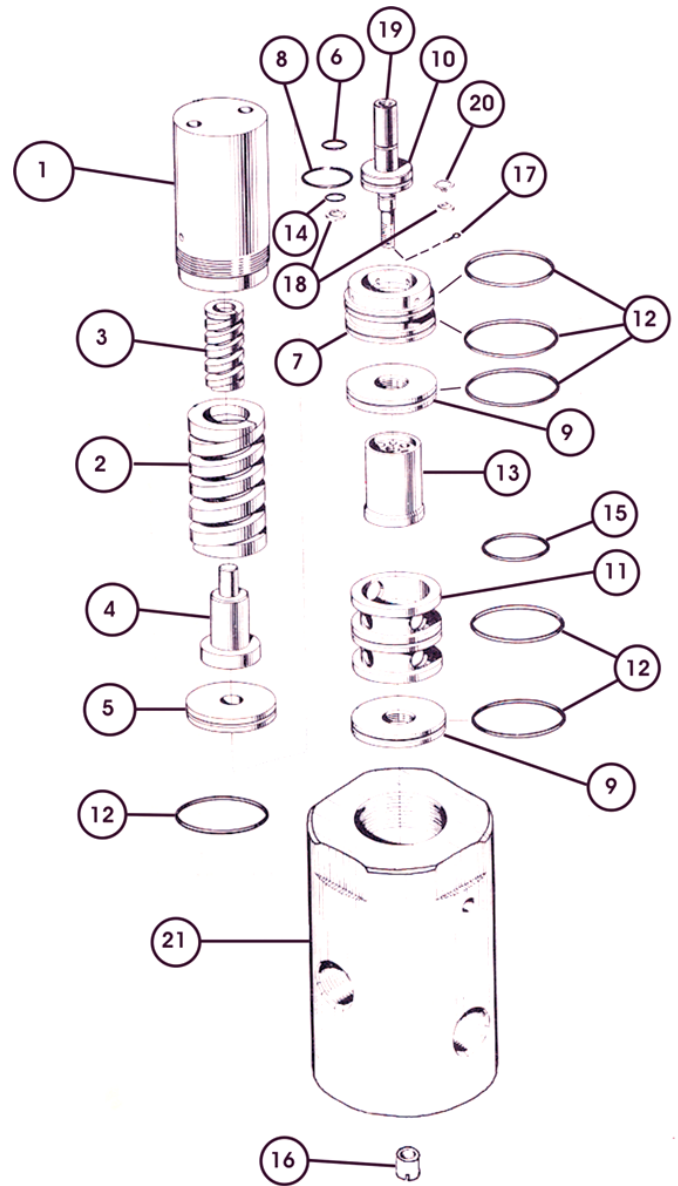
SUBSEA CONTROL VALVE - SPM

PART NO. AG21-0100 – 1” SUBPLATE MOUNTED

Item	Description	Part No.	Qty
Assy.	Sub plate Mounted Control Valve	AG21-0100	
Kit	Repair Kit (Control Seal Kit)	AG21-0499	
Kit	Seal Kit	AG21-0197	
1	Housing	AG21-0101	1
2	Large Spring and Arbor Assembly	AG21-0116	1
3	Small Spring (Not Part of Assembly)	AG21-0103	1
4	Cover	AG21-0105	1
5**	O-Ring	HG17-2014	1
6	Cylinder	AG21-0106	1
7**	O-Ring	HG19-2223	1
8	Piston	AG21-0108	1
9**	Seal	AG21-0107	1
10**	O-Ring	HG19-2129	1
11	Cage	AG21-0109	1
12**	O-Ring	HG19-2229	6
13*	Seal Sleeve	AG21-0110	1
14*	Cotter Pin	AG21-0112	1
15*	Nut	AG21-0111	2
16**	O-Ring	HG19-2012	2
17*	Back-Up Ring	HH41-2012	1
18*	Retaining Ring	AG21-0114	1
19*	Piston Rod	AG21-0113	1
Kit	Complete Tool Kit	AG21-0189	
Tool	Spanner Wrench	AG21-0190	
Tool	Pull Tool for Bottom Seal	AG21-0191	
Tool	Tool for Nut	HJ5268	
Tool	Cotter Pin Tool	AG21-0193	
Tool	Valve Pull Tool	AG21-0194	
Tool	Retainer Ring Tool	AG21-0195	

* Included in Repair Kit (Includes Seal Kit)

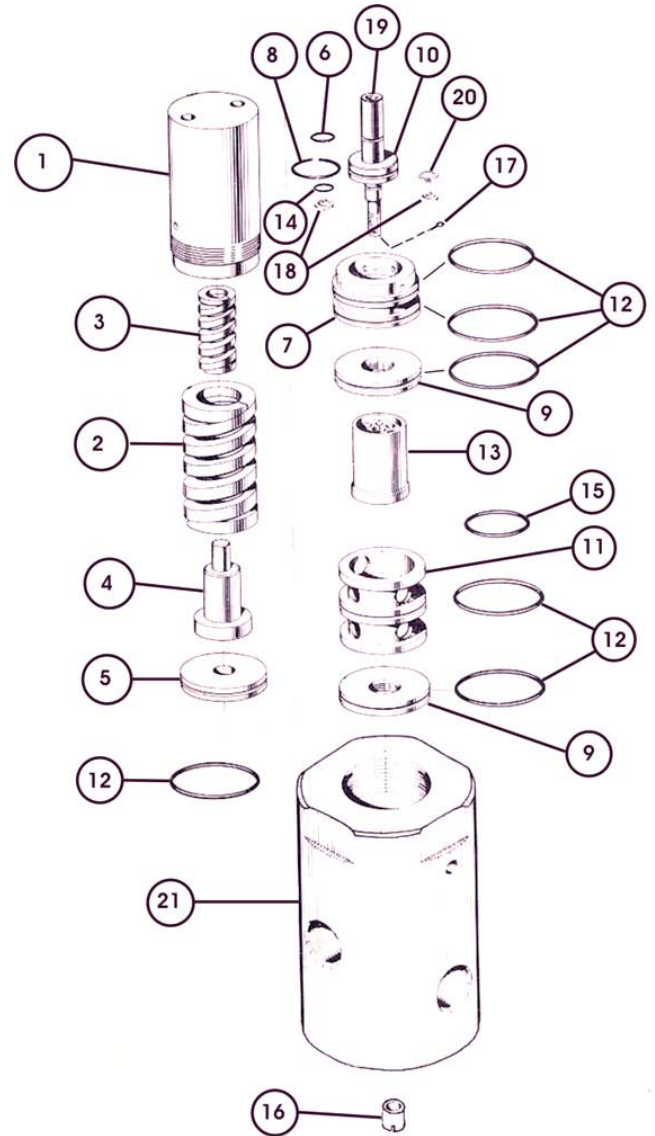
** Included in Seal Kit



SUBSEA CONTROL VALVE - SPM

PART NO. AG21-0900 – 1” SPM VALVE

Item	Description	Part No.	Qty
Kit	Repair Kit	AG21-0999	
Kit*	Seal Kit	AG21-0997	
1	Cap Spring 1” SPM Valve S.S.	AG21-0901	1
2	Spring	AG21-0902	1
3	Spring	AG21-0103	1
4	Arbor	AG21-0903	1
5	Cover	AG21-0105	1
6**	O-Ring B-N, 70, .489 ID x .070 W	HG17-2014	1
7	Cylinder	AG21-0106	1
8**	O-Ring B-N, 70 1.609 ID x .139 W	HG17-2223	1
9**	Seal	AG21-0107	2
10	Piston 1-7/8”	AG21-0108	1
11	Cage	AG21-0109	1
12**	O-Ring B-N, 70 2.234 ID x .139 W	HG17-2228	6
13*	Seal Sleeve	AG21-0110	1
14**	O-Ring Buna – N, 70 Duro	HG17-2012	2
15**	O-Ring Buna – N, 70 Duro	HG17-2129	1
16*	Nut	AG21-0111	1
17*	Cotter Pin	HA5010	1
18**	Back-Up Ring, Spiral Teflon	HH41-2012	2
19*	Piston Rod	AG21-0113	1
20*	Retaining Ring	AG21-0114	1
21	Valve Body	AG21-0115	1



* Included in Repair Kit

** Included in Seal Kit

SUBSEA CONTROL VALVE - SPM

PART NO. AG21-1100 – 1” SPM VALVE DOUBLING ACTING

Item	Description	Part No.	Qty
Kit	Repair Kit (Includes Seal Kit)	AG21-1199	
Kit*	Seal Kit	AG21-1197	
1	Cap	AG21-1301	1
2**	O-Ring	HG17-2112	1
3	Cage	AG21-1109	1
4*	Spool	AG21-1108	1
5*	Piston Rod	AG21-1107	1
6	Piston Housing	AG21-1106	1
7**	O-Ring	HG17-2228	6
8	Piston Rod Housing	AG21-1104	1
9**	Seal	AG21-0107	1
10	Piston	AG21-1103	1
11*	Spool Retainer	AG21-1101	1
12*	Screw	HE25-7007	1
13*	Piston Retainer	AG21-1102	1
14*	Retainer Ring	AG21-1111	1
15**	T-Ring	HG51-0012	1
16**	T-Ring	HG50-0022	1
17**	T-Ring	HG51-0009	1
18**	T-Ring	HG51-0024	1

* Included in Repair Kit

** Included in Seal Kit

PART NO. AG21-9699 – 1” SPM VALVE DUMMY ASSEMBLY

Item	Description	Part No.	Qty
1	1” SPM Dummy	AG21-9900	1
2	1” SPM Valve Cap	AG21-9901	1
3	O-Ring	HG17-2228	1



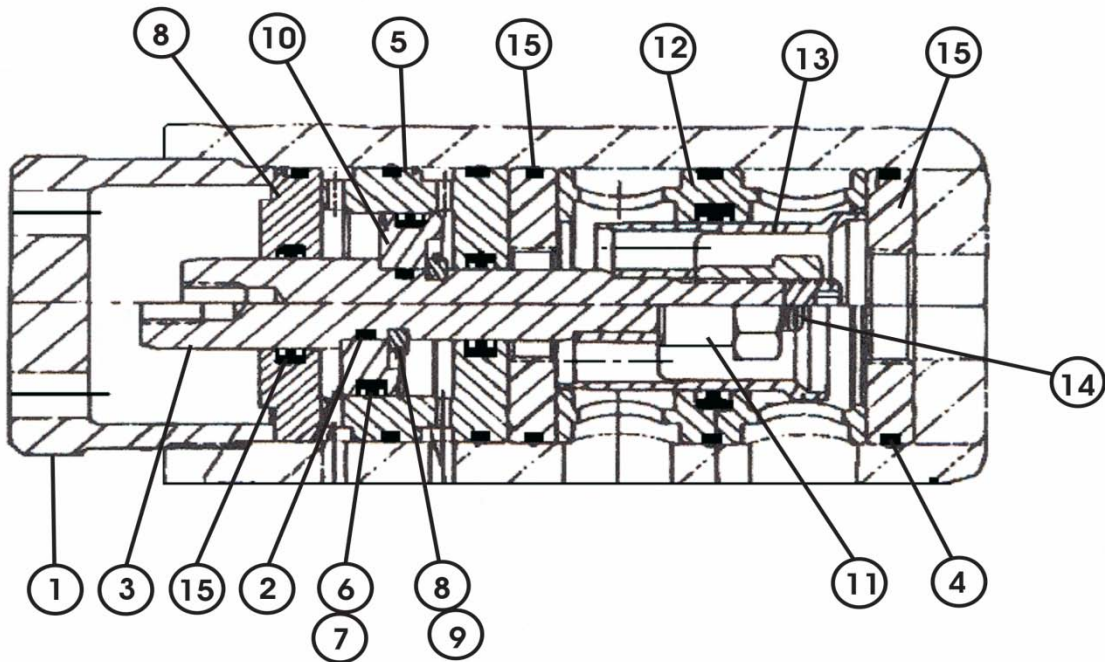
SUBSEA CONTROL VALVE - SPM

PART NO. AG21-1600 – 1” SPM VALVE DOUBLE PILOT

Item	Description	Part No.	Qty
Kit	Repair Kit	AG21-1699	
Kit*	Seal Kit	AG21-1697	
1	SPM Valve Retainer	HB8427	1
2	Retainer Ring.	HB8426	1
3*	Piston Rod	HJ5307	1
4**	O-Ring	HG19-2228	6
5	Cylinder	AG21-0402	1
6**	O-Ring	HG19-2218	1
7**	Back-Up Ring	HH41-2218	2
8**	O-Ring	HG19-2012	1
9**	Back-Up Ring	HH41-2012	2
10	Piston	AG21-0108	1
11*	Nut S.S.	AG21-0111	1
12	Cage	AG21-0109	1
13*	Seal Sleeve	HJ5304	1
14*	Cotter Pin	AG21-0112	1
15**	Seal	AG21-0107	2
16	Nameplate	-	1

* Included in Repair Kit

** Included in Seal Kit



SUBSEA CONTROL VALVE - SPM

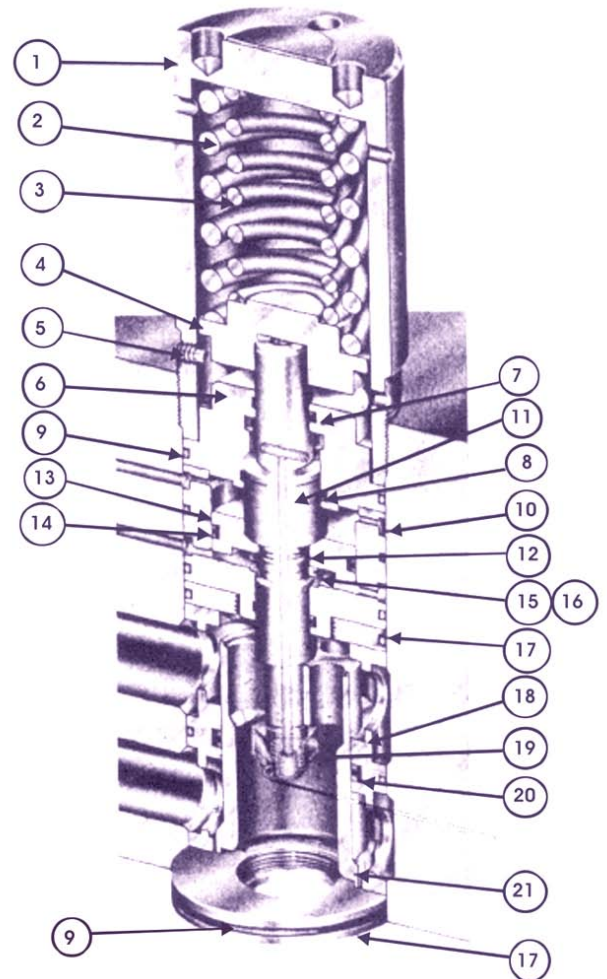
PART NO. AG23-0100 – 1 1/2" SPM VALVE

Item	Description	Part No.	Qty
Kit	Repair Kit	AG23-0199	
Kit*	Seal Kit	AG23-0197	
1	Spring Housing	AG23-0101	1
2	Spring 2-7/8" OD	GJ10-0700	1
3	Spring 1-7/8" OD	GJ10-0600	1
4	Spring Retainer Plate	AG23-0110	1
5	Set Screw	AG23-0112	3
6	Piston Rod Housing	AG23-0104	1
7**	T-Seal	HG51-0012	2
8**	T-Seal	HG51-0018	1
9**	O-Ring	HG17-2236	6
10	Piston Housing	AG23-0102	1
11*	Piston Rod	AG23-0103	1
12**	O-Ring	AH17-2115	1
13	Piston	AG23-0109	1
14**	T-Seals	HG50-2115	1
15*	Piston Retaining Ring	AG23-0111	1
16*	Retainer Ring	AG23-0120	1
17**	Lower Seal	AG23-0107	2
18	Cage	AG23-0105	1
19*	Hex Nut, 9/16" x 18 UNF, SS, Self Locking	HE84-0800	1
20**	T-Seals	HG51-0029	1
21*	Spool	AG23-0106	1
22	Tool Kit	AG23-0196	1

* Included in Repair Kit

** Included in Seal Kit

Note: Seal Kit is Included in Repair Kit



SUBSEA CONTROL VALVE - SPM

PART NO. 806862 – 1 ½” SPM VALVE DUMMY FOR “CAPTURED VENT”

Item	Description	Part No.	Qty
1	Cap 1-1/2” Dummy Plug, Balanced Stem	AG21-0122	1
2	Dummy for 1-1/2” SPM with Captured Vent	HJ6834	1
3	O-Ring	HG17-2236	3

PART NO. AG21-0130 – 1 ½” SPM VALVE DUMMY ASSEMBLY

Item	Description	Part No.	Qty
1	Cap Dummy Plug	AG21-0122	1
2	Dummy Plug	AG21-0124	1
3	O-Ring	HG17-2236	1

PART NO. 806861 – 1 ½” SPM VALVE DUMMY WITH STRAIGHT THRU TO FUNCTION

Item	Description	Part No.	Qty
1	Cap 1-1/2” Straight thru Dummy Plug	HJ6821	1
2	Dummy with Straight thru	HJ6819	1
3	O-Ring	HG17-2236	2
4	O-Ring	HG17-2228	1

PART NO. 806860 – 1 ½” SPM VALVE DUMMY WITH STRAIGHT THRU SUPPLY

Item	Description	Part No.	Qty
1	Cap – 1-1/2” Straight thru Dummy Plug	HJ6821	1
2	Dummy with Straight thru to Supply	HJ6820	1
3	O-Ring	HG17-2236	2
4	O-Ring	HG17-2228	1



SUBSEA CONTROL VALVE - SPM

PART NO. AG23-0200 – 1 1/2” SPM VALVE BI-DIRECTIONAL 5000 PSI

Item	Description	Part No.	Qty
Kit	Repair Kit	AG23-0299	
Kit*	Seal Kit	AG23-0297	
1	Spring Housing	AG23-0101	1
2	Spring 2-7/8” OD	GJ10-0700	1
3	Spring 1-7/8” OD	GJ10-0600	1
4	Spring Retainer Plate	AG23-0110	1
5	Set Screw	AG23-0112	3
6	Piston Rod Housing	AG23-0206	1
7**	T-Seal	AG23-0115	2
8**	T-Seal	AG23-0117	1
9**	O-Ring	HG17-2236	6
10	Piston Housing	AG23-0102	1
11*	Piston Ring	AG23-0207	1
12**	O-Ring	HG17-2115	1
13	Piston	AG23-0109	1
14**	T-Seals	AG23-0119	1
15*	Piston Retaining Ring	AG23-0111	1
16*	Retainer Ring	AG23-0120	1
17**	Lower Seal	AG23-0107	2
18	Cage	AG23-0202	1
19*	Hex Nut, 9/16” x 18 UNF, SS Self Locking	HE84-0800	1
20**	T-Seals	AG23-0123	1
21*	Spool	AG23-0201	1

* Included in Repair Kit

** Included in Seal Kit

