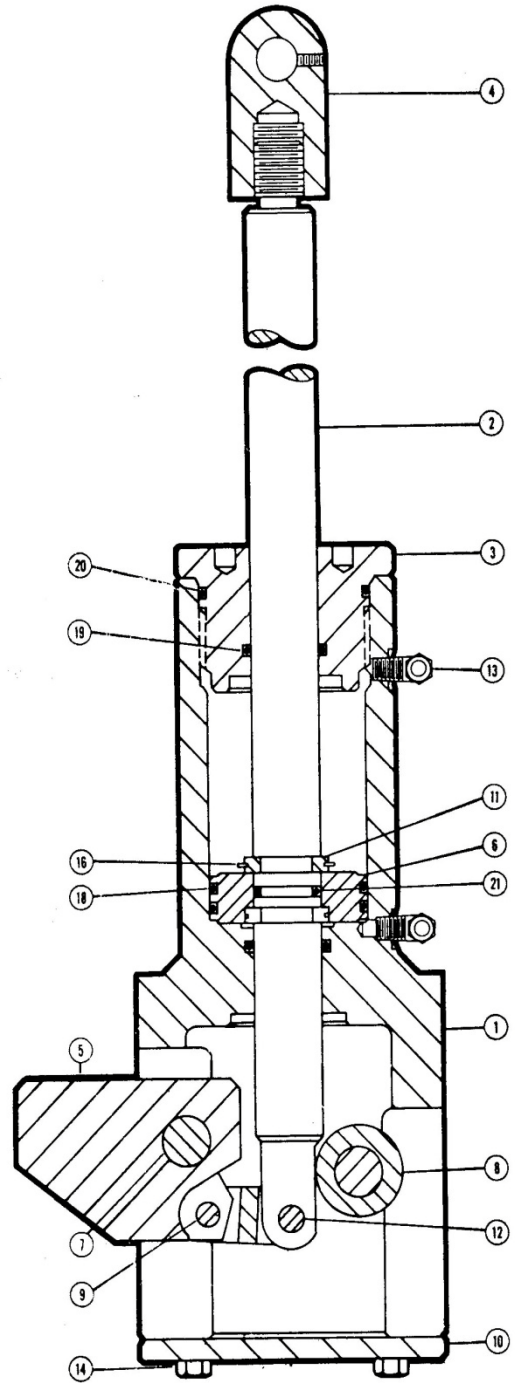


SUBSEA POD PARTS

RETRIEVABLE HYDRAULIC CONTROL POD LATCH

Item	Description	Part No.	Qty
Assy.*	Pod Latch	JA50-1206	
Kit	Seal Kit	JA50-1297	
1	Latch Housing	JA50-1032	1
2	Latch Rod	JA50-1024	1
3	Latch Housing Cap	JA50-1101	1
4	Latch Rod Clevis	JA50-1106	1
5	Latch Dog	JA50-1063	1
6	Latch Piston	JA50-1100	1
7	Latch Pivot Pin	JA50-1058	3
8	Support Block	JA50-1830	1
9	Pod Latch Linkage	JA50-1062	1
10	Latch Bottom Plate	JA50-1066	1
11	Piston Retaining Ring	JA50-1064	2
12	Pod Latch Linkage Pin	JA50-1065	2
13	Tube Fitting	HA11-0660	2
14	Screw, Hex Head	HE02-4010	4
15	Screw, Hex Head	HE02-6025	6
16	Retaining Ring	JA59-0050	1
17	Set Screw	HE22-5007	4
18**	Seal, Polypak	HH60-0200	2
19**	Seal, Polypak	HH60-0300	3
20**	O-Ring	HG17-2345	1
21**	O-Ring	HG17-2324	1



SUBSEA POD PARTS

Item	Description	Part No.	Qty
Assy.	Pod Latch for 32 and 42 Line Pods	JA55-0100	
Kit	Seal Kit		
1	Lifting Eye	JA55-0115	
2	Rod	JA55-0101	1
3	Body	JA55-0114	1
4	Nose	JA55-0113	1
5	Stop	JA55-0111	1
6	Dog	JA55-0108	2
7	Pin	JA55-0109	2
8	Link, Male	JA55-0106	1
9	Link, Female	JA55-0107	1
10	Pin	JA55-0105	3
11**	O-Ring	HG17-2342	2
12**	O-Ring	HG17-2326	1
13**	Back-Up Ring (Not Shown)	HH41-2342	2
14**	Back-Up Ring (Not Shown)	HH42-2326	1
15	Piston (Not Shown)	JA55-0102	1
16	Lock Ring (Not Shown)	JA55-0103	1
17	Retainer Ring (Not Shown)	JA55-0104	1
18	Set Screw, Pin (Not Shown)	JA55-0110	2
19	Alignment Pin (Not Shown)	JA55-0112	2
20	Shim, Set (not Shown)	JA55-0117	1
21**	O-Ring (Not Shown)	HG17-2344	1
22**	O-Ring (Not Shown)	HG17-2437	1
23**	Back-Up Ring (Not Shown)	HH42-8342	2

* Included in Seal Kit

